

Datasheet

RS PRO Frames for RS-HM Modular Inserts



The RS PRO Heavy-Duty Connector series is a full range of heavy-duty inserts, housings, crimps and accessories. The Frames are compatible with the Modular range of Inserts and can be combined in 2, 3, 4 or 6 modules. The entire range of connectors are RoHS compliant and as with all RS PRO products, offer exceptional value for money.

Features & Benefits:

- Frames for RS PRO Modular range of Inserts
- Frames for 2, 3, 4 and 6 Module Inserts
- Labelled in lower-case or upper-case alphabet

Quality Standards

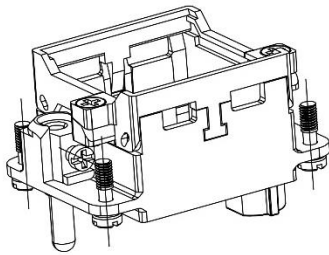
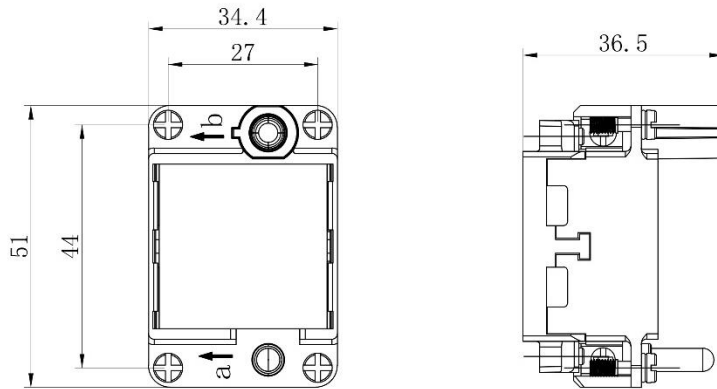


Dimensional line drawings

Frame for 2 Modules – Marking a-b for RS-H6B Series

Housing

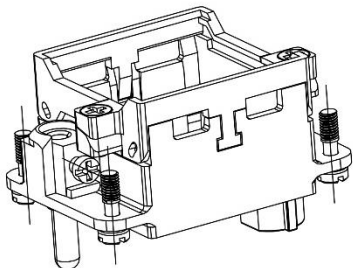
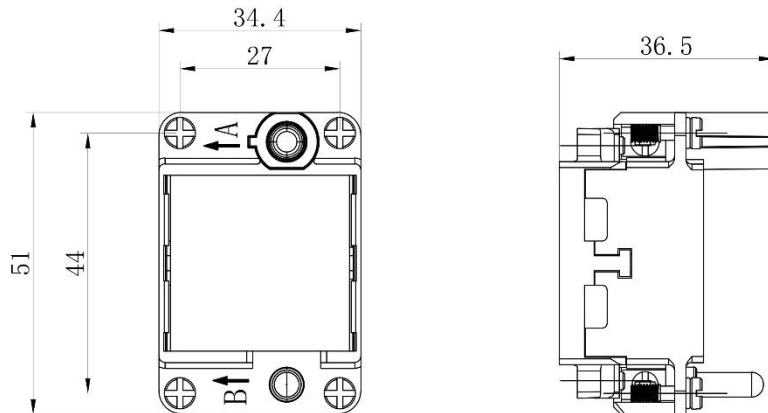
208-4545



Frame for 2 Modules – Marking A-B for RS-H6B Series

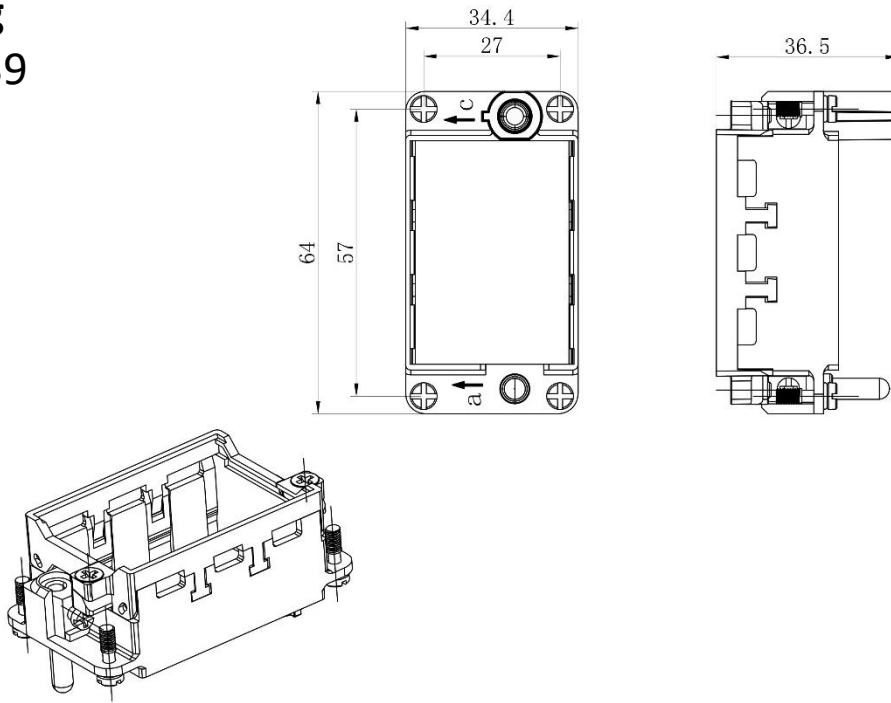
Housing

208-4546

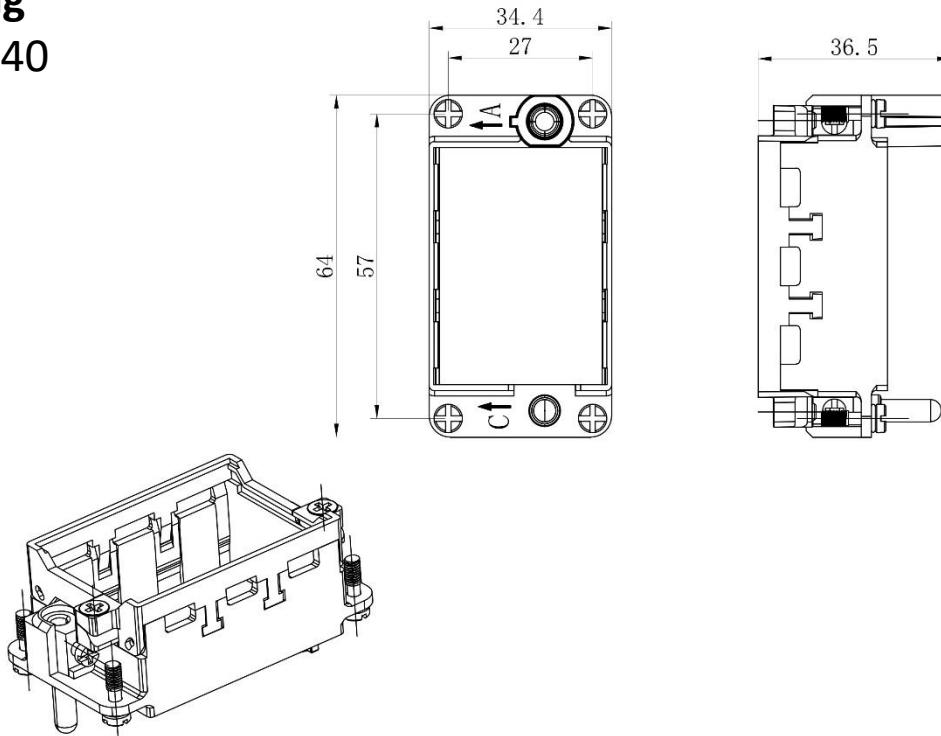


Dimensional line drawings

Frame for 3 Modules – Marking a-c for RS-H10B Series Housing 208-4539

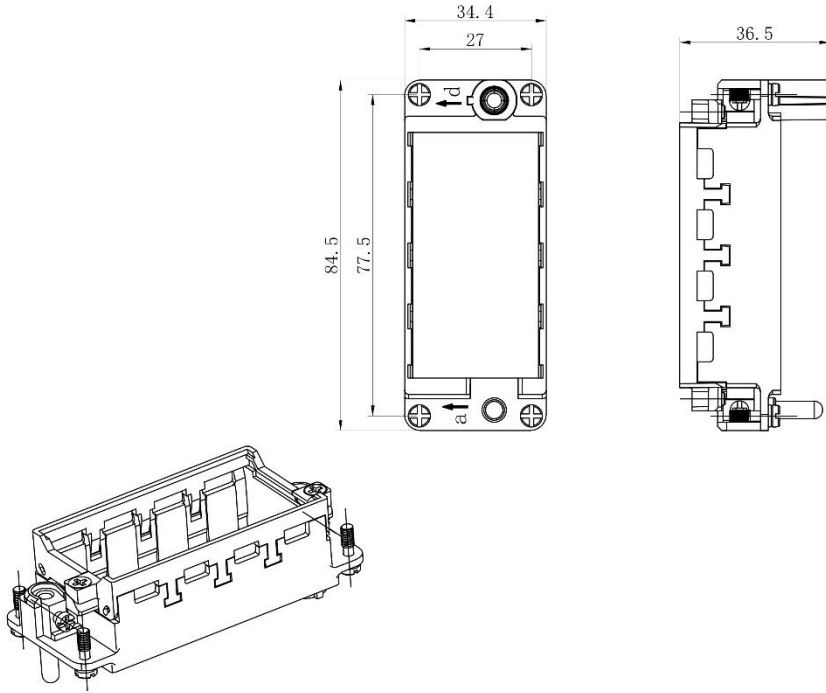


Frame for 3 Modules – Marking A-C for RS-H10B Series Housing 208-4540

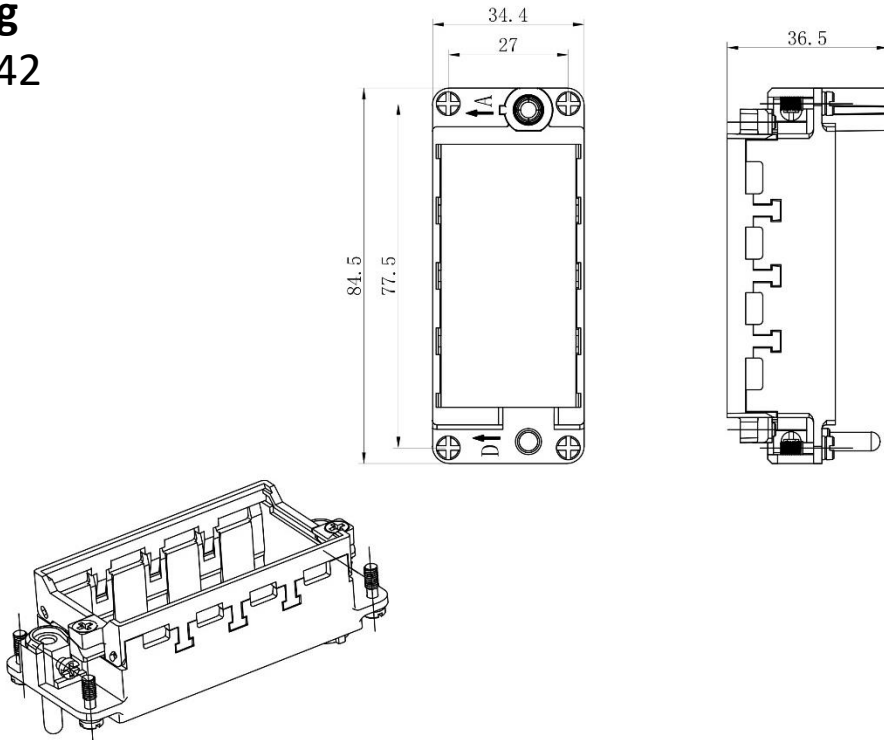


Dimensional line drawings

Frame for 4 Modules – Marking a-d for RS-H16B Series Housing 208-4541

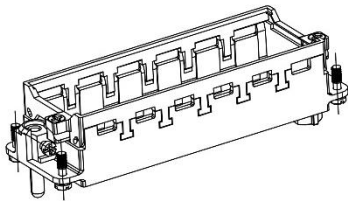
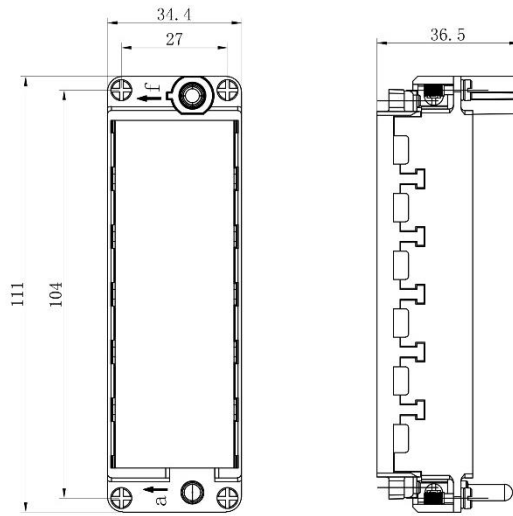


Frame for 4 Modules – Marking A-D for RS-H16B Series Housing 208-4542



Dimensional line drawings

Frame for 6 Modules – Marking a-f for RS-H24B Series Housing 208-4543



Frame for 6 Modules – Marking A-F for RS-H24B Series Housing 208-4544

