



MASTER LEDspot LV AR111 – Ideal solution for spot lighting in shops

MASTER LEDspot LV AR111

Delivering a warm, halogen-like accent beam, MASTER LEDspot LV AR111 is an ideal retrofit solution for spot and general lighting applications in the hospitality and retail industry. It is particularly suitable for general lighting where the light is on all the time, such as creative accent lighting applications in shops, restaurants, hotels, and especially for galleries, exhibitions and museums. The robustly designed MASTER LEDspot LV AR111 offers various beam angles for a clearly defined beam spread. There is no UV or IR in the beam, making it suitable for illuminating heat-sensitive objects (food, organic materials, paintings, etc.). The patented intelligent driver enables broad compatibility with existing electromagnetic and electronic halogen transformers. MASTER LEDspot LV AR111 delivers huge energy savings and minimises maintenance cost without any reduction in brightness.

Benefits

- Up to 80% energy saving compared with halogen lamps
- Up to 80% energy saving compared with halogen lamps
- Broad compatibility with transformers
- Broad compatibility with transformers
- Retrofittable
- Retrofittable

MASTER LEDspot LV AR111

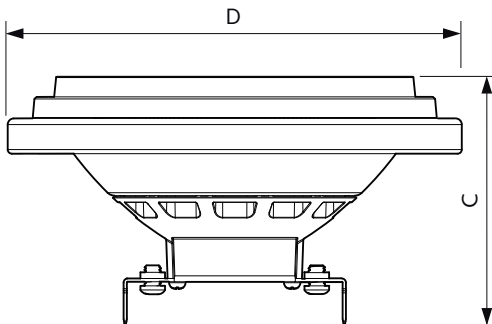
Features

- Patented intelligent driver
- Patented intelligent driver
- Lifetime of 45,000 hours
- Lifetime of 45,000 hours
- Low energy consumption
- Low energy consumption
- Clearly defined beam spread
- Clearly defined beam spread
- UV- and IR-free light for less heat and protection for heat-sensitive objects
- UV- and IR-free light for less heat and protection for heat-sensitive objects

Application

- Shops, hotels, restaurants, bars, cafés
- Shops, hotels, restaurants, bars, cafés
- Galleries, museums, exhibitions, lobbies, corridors, stairwells, washrooms, reception areas
- Galleries, museums, exhibitions, lobbies, corridors, stairwells, washrooms, reception areas

Dimensional drawing



Product	D	C
MAS LED ExpertColor 15-75W 927 AR111 24D	111 mm	62 mm
MAS LED ExpertColor 15-75W 930 AR111 24D	111 mm	62 mm
MAS LED ExpertColor 15-75W 930 AR111 40D	111 mm	62 mm
MAS LED SpotLV 20-100W 940 AR111 24D	111 mm	62 mm

MASTER LEDspot LV AR111

General Information	
Cap-Base	G53
Switching Cycle	50,000
Light Technical	
LLMF At End Of Nominal Lifetime (Nom)	70 %
Operating and Electrical	
Input Frequency	- Hz
Line Frequency	- Hz
Starting Time (Nom)	0.5 s
Controls and Dimming	
Dimmable	Yes
Mechanical and Housing	
Bulb Shape	AR111

General Information

Order Code	Full Product Name	Nominal lifetime
929002239008	MAS LED ExpertColor 15-75W 927 AR111 24D	40,000 hour(s)
929002239108	MAS LED ExpertColor 15-75W 930 AR111 24D	40,000 hour(s)
929002239408	MAS LED ExpertColor 15-75W 930 AR111 40D	40,000 hour(s)
929002240008	MAS LED SpotLV 20-100W 940 AR111 24D	25,000 hour(s)

Light Technical (1/2)

Order Code	Full Product Name	Beam Angle (Nom)	Correlated		
			Color Temperature (Nom)	Color rendering index (CRI)	Color Code
929002239008	MAS LED ExpertColor 15-75W 927 AR111 24D	24 degree(s)	2700 K	97	927
929002239108	MAS LED ExpertColor 15-75W 930 AR111 24D	24 degree(s)	3000 K	97	930

Order Code	Full Product Name	Beam Angle (Nom)	Correlated		
			Color Temperature (Nom)	Color rendering index (CRI)	Color Code
929002239408	MAS LED ExpertColor 15-75W 930 AR111 40D	40 degree(s)	3000 K	97	930
929002240008	MAS LED SpotLV 20-100W 940 AR111 24D	24 degree(s)	4000 K	91	940

Light Technical (2/2)

Order Code	Full Product Name	Luminous Flux	Luminous Intensity (Nom)
			Intensity (Nom)
929002239008	MAS LED ExpertColor 15-75W 927 AR111 24D	950 lm	3,500 cd
929002239108	MAS LED ExpertColor 15-75W 930 AR111 24D	1,000 lm	3,500 cd

Order Code	Full Product Name	Luminous Flux	Luminous Intensity (Nom)
			Intensity (Nom)
929002239408	MAS LED ExpertColor 15-75W 930 AR111 40D	1,000 lm	1,400 cd
929002240008	MAS LED SpotLV 20-100W 940 AR111 24D	1,350 lm	5,000 cd

Operating and Electrical

Order Code	Full Product Name	Power Consumption	Wattage Equivalent
			Equivalent
929002239008	MAS LED ExpertColor 15-75W 927 AR111 24D	15 W	75 W
929002239108	MAS LED ExpertColor 15-75W 930 AR111 24D	15 W	75 W

Order Code	Full Product Name	Power Consumption	Wattage Equivalent
			Equivalent
929002239408	MAS LED ExpertColor 15-75W 930 AR111 40D	15 W	75 W
929002240008	MAS LED SpotLV 20-100W 940 AR111 24D	20 W	100 W

MASTER LEDspot LV AR111

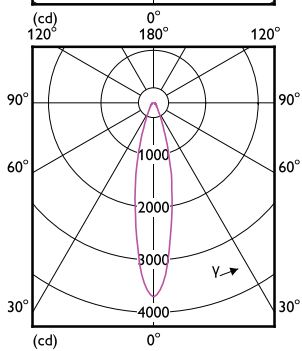
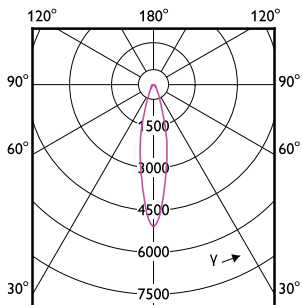
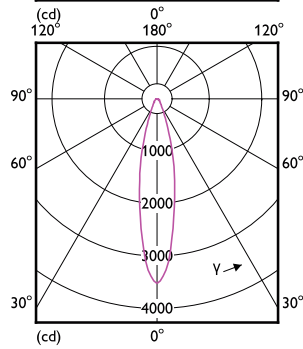
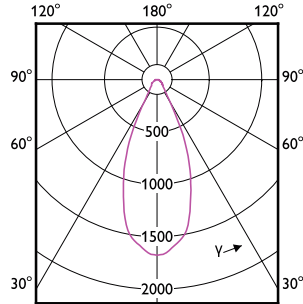
Temperature

Order Code	Full Product Name	T-Case Maximum (Nom)
929002239008	MAS LED ExpertColor 15-75W 927 AR111 24D	74 °C
929002239108	MAS LED ExpertColor 15-75W 930 AR111 24D	74 °C

Order Code	Full Product Name	T-Case Maximum (Nom)
929002239408	MAS LED ExpertColor 15-75W 930 AR111 40D	74 °C
929002240008	MAS LED SpotLV 20-100W 940 AR111 24D	80 °C

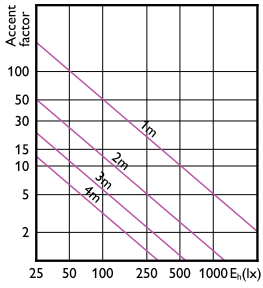
Approval and Application

Order Code	Full Product Name	Energy Consumption kWh/1000 h
929002239008	MAS LED ExpertColor 15-75W 927 AR111 24D	17 kWh
929002239108	MAS LED ExpertColor 15-75W 930 AR111 24D	17 kWh
929002239408	MAS LED ExpertColor 15-75W 930 AR111 40D	17 kWh
929002240008	MAS LED SpotLV 20-100W 940 AR111 24D	22 kWh

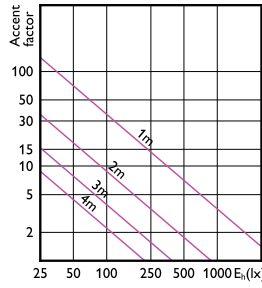


MASTER LEDspot LV AR111

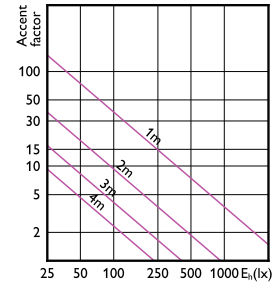
Accent Diagrams



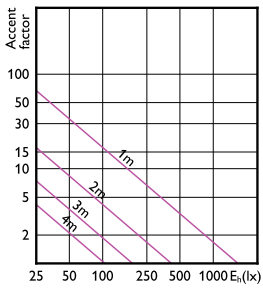
Accent Diagram - MAS LED SpotLV 20-100W
940 AR111 24D



Accent Diagram - MAS LED ExpertColor 15-75W
927 AR111 24D

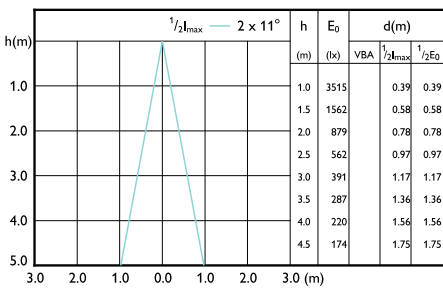


Accent Diagram - MAS LED ExpertColor 15-75W
930 AR111 24D

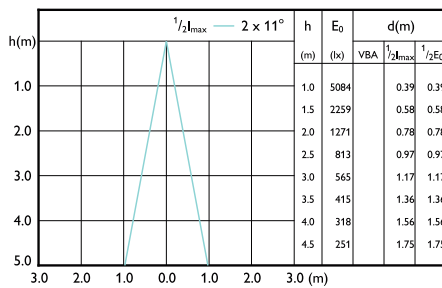


Accent Diagram - MAS LED ExpertColor 15-75W
930 AR111 40D

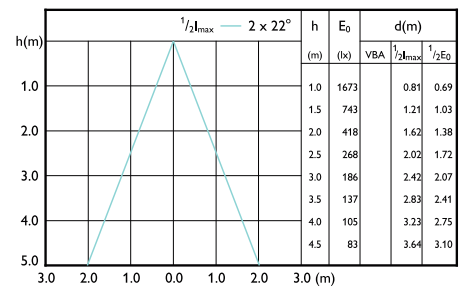
Beam Diagrams



Beam diagram - MAS LED ExpertColor 15-75W
927 AR111 24D



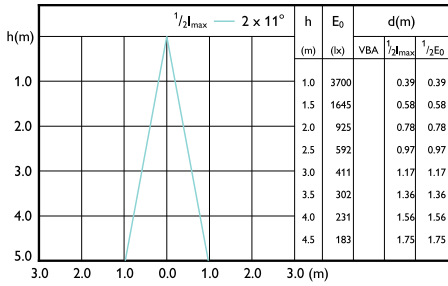
Beam diagram - MAS LED SpotLV 20-100W
940 AR111 24D



Beam diagram - MAS LED ExpertColor 15-75W
930 AR111 40D

MASTER LEDspot LV AR111

Beam Diagrams



Beam diagram - MAS LED ExpertColor 15-75W
930 AR111 24D

