

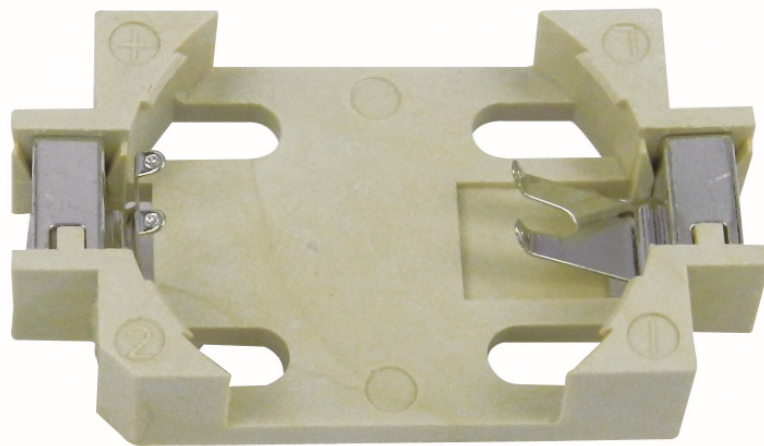


ENGLISH

Datasheet

RS Article:1854717

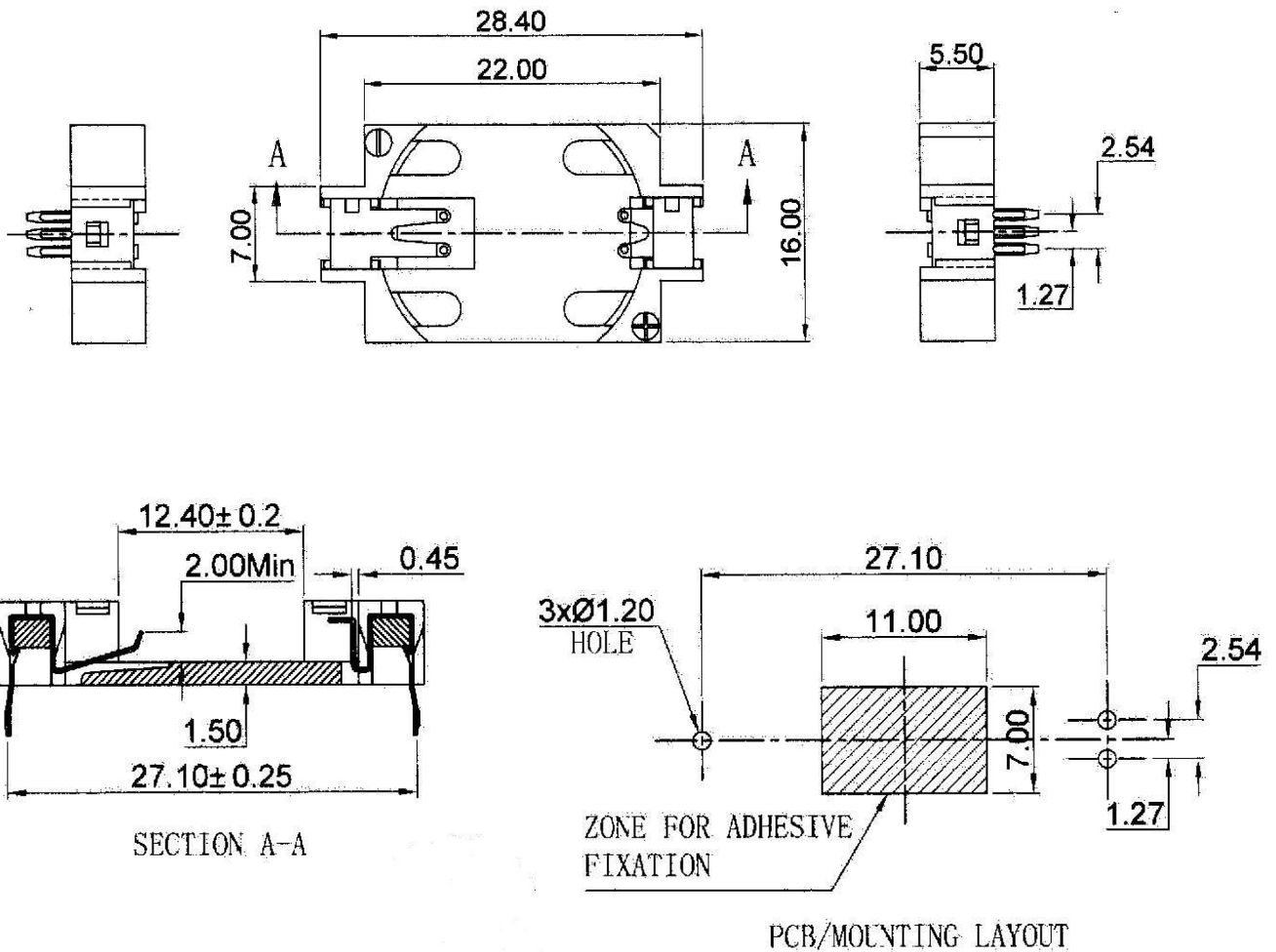
# RS Pro Battery Holder



## 1. Preface:

The purpose of this product specification is to Dimension and drawing

# CR2032



## NOTES:

1. MATERIAL: HOUSING-LCP 30%GF UL94V0
2. COLOR: WHITE
3. CONTACT: PHOSPHOR BRONZE C5191R-H
4. PLATING: Tin 120u''min OVER Ni 60 u''min
5. RoHS COMPLIANT

Measure: mm