

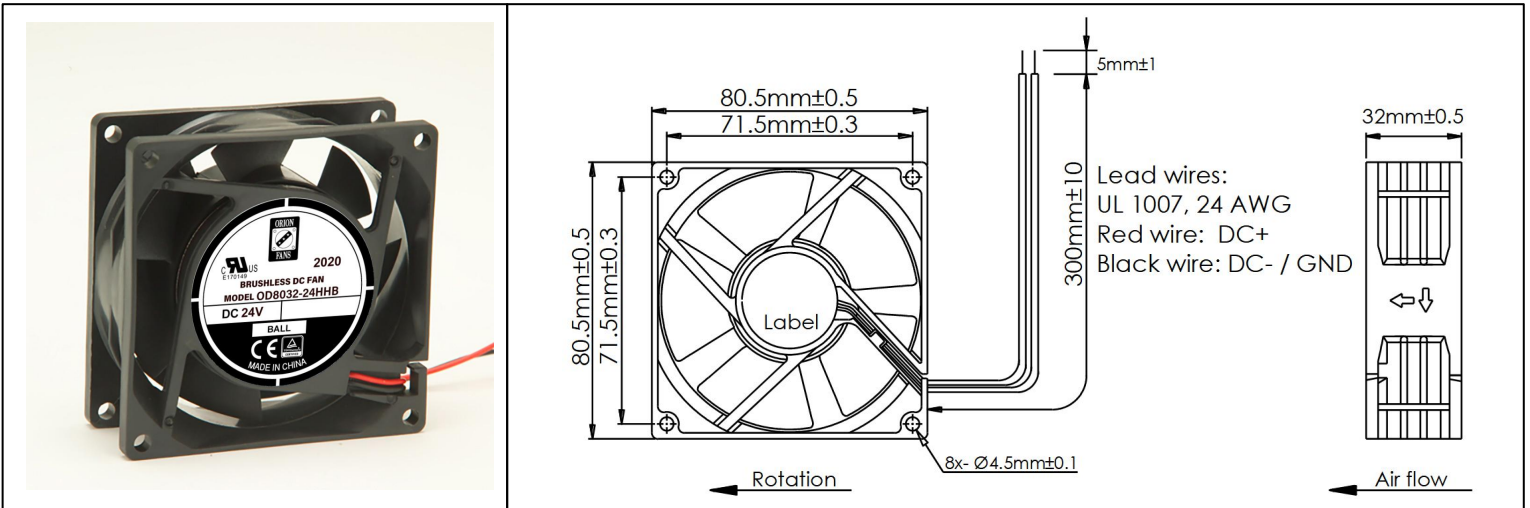


Datasheet

RS PRO DC FAN 80x80x32mm

Stock Number: 144-4129

EN



Frame	Glass Filled PBT UL94 V-0 Plastic	<u>Operating Temperature</u> -10°C ~ +70°C	
Impeller	Glass Filled PBT UL94 V-0 Plastic	<u>Storage Temperature</u> -40°C ~ +70°C	
Connection	2x Wire Leads, 24 AWG	<u>Life Expectancy</u> 70,000 hours (L10 at 40°C)	
Motor	Brushless DC, Auto Cutoff, Auto Restart, IC Protected, Polarity Protected	Weight: 0.108Kgs (0.24 lbs)	
Bearing System	Dual Ball Bearings		
Dielectric Strength	500VAC/min <1mA		
Insulation Resistance	≥10M Ohm @ 500 VDC		

Model Number	144-4129
Rated Voltage	24 VDC
Rated Power	4.32 W
Rated Current	0.18 A
Rated Speed (RPM)	4190
Airflow (CFM)	51
Noise Level (dB)	45.4
Max. Static Pressure	0.33" H ₂ O