



ENGLISH

Datasheet

RS Article:1854794

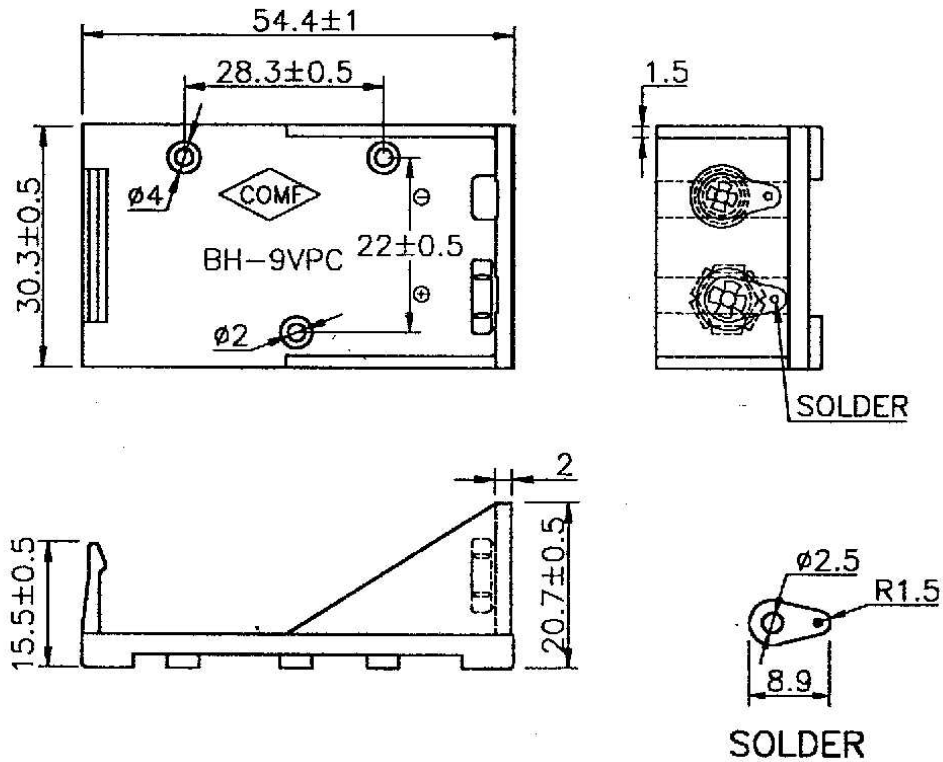
# RS Pro Battery Holder



## 1. Preface:

The purpose of this product specification is to Dimension and drawing

# 9V with Tag



## SPECIFICATION

- (1) ITEM NO.: 1854794
- (2) WITH 6 PRONG SNAP TERMINAL
- (3) WITH SOLDER TERMINAL
- (4) MATERIAL: A.B.S. RESIN , BALCK COLOR

Measure: mm