



EN

Datasheet

RS PRO NYLON-INSULATED CORD END

TERMINALS

Stock number: 178-7306

MAXIMUM ELECTRIC CURRENT:

A.W.G.	18
AMP.	17

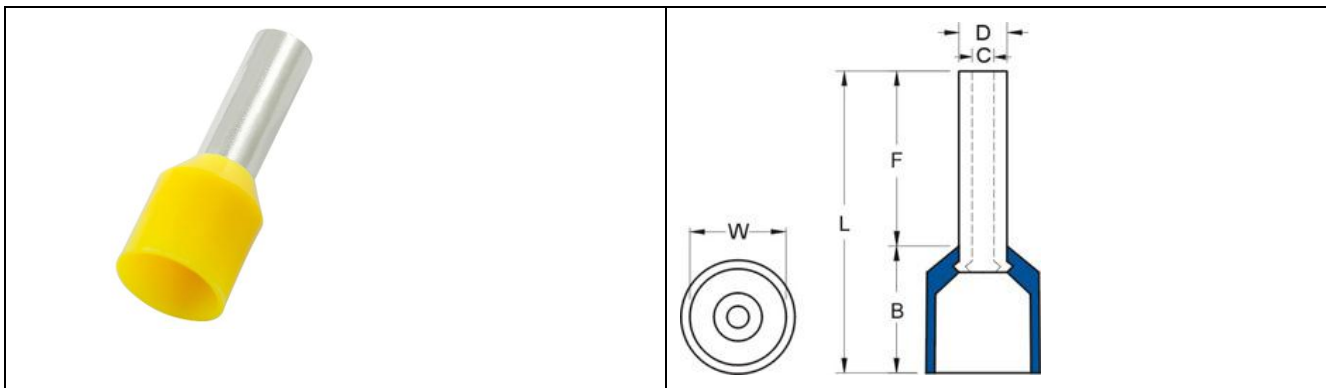
MAXIMUM ELECTRICAL RATING: 105° C 600 VOLTS MAX.

INSULATION MATERIAL: NYLON

TERMINAL MATERIAL: COPPER TUBE

SURFACE TREATMENT: TIN PLATE

INSULATION COLOR: YELLOW



WIRE RANGE A.W.G. mm ²	ITEM NO.	DIMENSION inch(mm)					
		F	L	W	B	D	C
18 A.W.G.	<input type="checkbox"/> 178-7306	0.472	0.709	0.118	0.248	0.067	0.055
1.0 mm ²		12	18	3	6.3	1.700	1.4