

Features

- USB Type C
- USB 3.0 Type A
- White
- 5 Pack

RS PRO 2mtr USB 3.1 Type C M – USB 3.0 Type A M – Black – 5 Pack

RS Stock No.: 2668501



RS Professionally Approved Products bring to you, professional quality parts across all product categories. Our product range has been tested by engineers and provides a comparable quality to the leading brands without paying a premium price.

Product Description

The RS PRO 2 metre USB version 3.1 type C male to USB version 3.0 type A male cable has a black PVC jacket and connector hoods. The cable flex has copper wire conductors and drain wire, with an aluminium braid, foil shielding and has an outer diameter of 4.5mm.

The connectors are nickel and have a strain relief to help avoid the cable splitting around the edge of the boot.

USB 3.1 supports 20-volt, 3-amp power delivery, this cable has a 56KΩ resistor to prevent too much power getting to a USB 3.0 device.

General Specifications

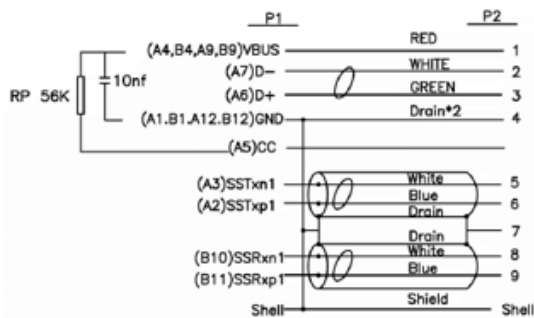
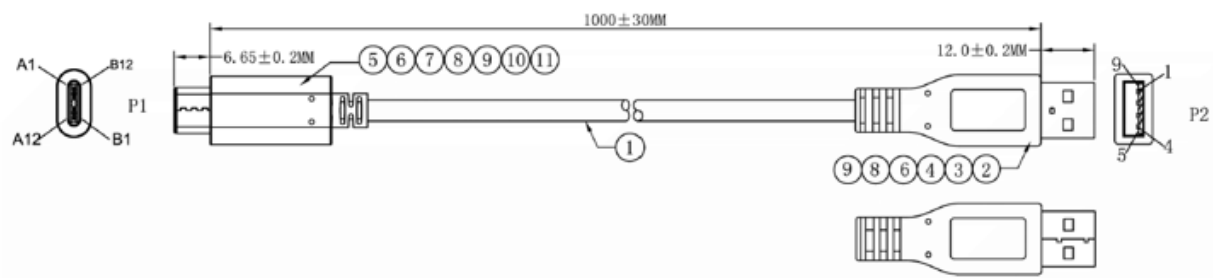
USB Type	USB 3.1
Connector A	Male USB
Connector A Type	USB Type C
Connector A Gender	Male
Connector B	Male USB
Connector B Type	USB A
Connector B Gender	Male
Connector Style	Plug, straight
Data Transfer Rate	5Gbps
Outer Sheath Material	PVC
Sheath Colour	Black
Connector Plating	Nickel
Pin Construction	Copper

Approvals

Standards Met	CE UKCA ROHS REACH
Declarations	CE UKCA ROHS REACH

Similar Products

Parameters	186-3053
Brand	RS PRO
Pack Size	1
USB Type	USB 3.1
Connector A	USB 3.1 Type C
Connector A Type	USB 3.1 Type C
Connector A Gender	Male
Connector B	USB 3.0
Connector B Type	USB 3.0 A
Connector B Gender	Male
Connector Style	Plug, straight
Data Transfer Rate	5Gbps
Outer Sheath Material	PVC
Sheath Colour	Black
Connector Plating	Nickel



9	USB TYPE C~UP Tinplate Nickel Plated~
8	USB TYPE C~Below Tinplate Nickel Plated~
7	Inside Molding:Low pressure material
6	USB 3.1 C Type Connector Nickel Plated Shell With PCBA(Resistance:56KΩ)
5	Outside Molding 45P PVC Color:Black
4	USB 3.0 A(M) Rear Shell Nickel plated
3	USB 3.0 A(M) Front Shell Nickel plated
2	USB 3.0 A(M) 9P /Insulation:BLUE,PIN, Gold Plated 3U*
1	USB3.1-[30ANG+EM]-2P+[30AWG+H]-1P+20AWG-1C+A2EBI 16/8/0.10TC BSNTC)GD:4.5MM-Black-NO-MARKING