



Description

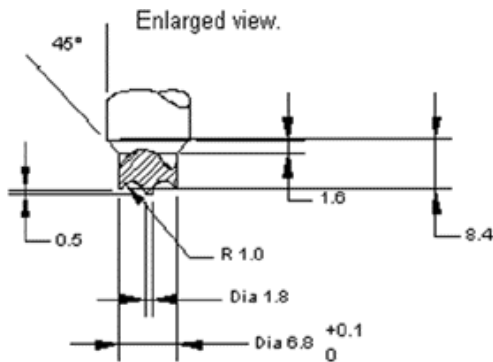
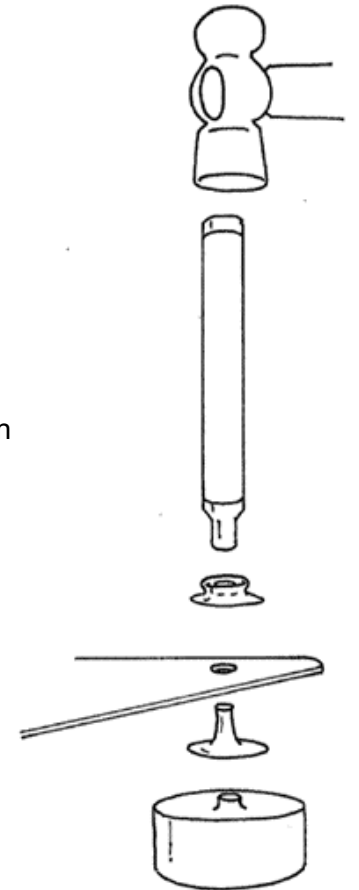
Earth grounding points on bench and floor mats are used to connect ground cords, these must be riveted through the mat material. The Desco Europe punch and anvil are simple but effective tools to achieve a neat finish with firm materials, no thicker than 4mm.

Both tools are mild steel, with a bright zinc and passivate finish

The “10mm-stud-and-post” set creates earth grounding points on bench and floor mats to which to connect ground cords.

Instructions for use of punch and anvil rivet stud

- Punch a 5mm diameter hole in mat in desired location.
- Insert post from underneath, apply stud over the protruding post on upper side.
- Fit anvil under the post.
- Place punch inside stud and hammer post until it rolls and a tight assembly is achieved.
- Alternately, the punch may also be fitted in a hand-operated arbor press for installation
- Check that the stud holds firmly and makes good electrical contact with the mat.



Item	Description
291-9467	Punch and Anvil with 10 Sets of 10mm Studs & Posts



Made in the United Kingdom

Unless otherwise noted, tolerance $\pm 10\%$
Specifications and procedures subject to change without notice.

Punch and Anvil with 10 Sets of 10mm Studs & Posts



Drawing Number
291-9467

DATE:
December
2017