



Main

Product or component type	Passive filter
Product specific application	Reduction of current harmonics

Complementary

Range compatibility	Altivar 71 Altivar Process ATV900 Altivar 61 Altivar Process ATV600
[Us] rated supply voltage	400 V +/- 10 %
Power supply frequency	50 Hz +/- 2 %
Quantity per drive	2 filters per drive for variable speed drive ATV61H motor: 280 kW/450 hp 2 filters per drive for variable speed drive ATV61Q motor: 280 kW/450 hp 1 filter per drive for variable speed drive ATV630 wall mount, motor: 132 kW/200 hp 1 filter per drive for variable speed drive ATV930 wall mount, motor: 132 kW/200 hp 1 filter per drive for variable speed drive ATV61H motor: 160 kW/250 hp 2 filters per drive for variable speed drive ATV61H motor: 355 kW 1 filter per drive for variable speed drive ATV71H motor: 160 kW/250 hp 2 filters per drive for variable speed drive ATV71H motor: 315 kW/500 hp 2 filters per drive for variable speed drive ATV71H motor: 355 kW 1 filter per drive for variable speed drive ATV61Q motor: 160 kW/250 hp 2 filters per drive for variable speed drive ATV61Q motor: 355 kW 1 filter per drive for variable speed drive ATV71Q motor: 160 kW/250 hp 2 filters per drive for variable speed drive ATV71Q motor: 315 kW/500 hp 2 filters per drive for variable speed drive ATV71Q motor: 355 kW
[In] rated current	304 A for input 316 A for output
Network number of phases	3 phases
THDI	5 % for variable speed drive ATV61H motor: 280 kW/450 hp 5 % for variable speed drive ATV61Q motor: 280 kW/450 hp 5 % for variable speed drive ATV61H motor: 160 kW/250 hp 5 % for variable speed drive ATV61H motor: 355 kW 5 % for variable speed drive ATV71H motor: 160 kW/250 hp 5 % for variable speed drive ATV71H motor: 315 kW/500 hp 5 % for variable speed drive ATV71H motor: 355 kW 5 % for variable speed drive ATV61Q motor: 160 kW/250 hp 5 % for variable speed drive ATV61Q motor: 355 kW 5 % for variable speed drive ATV71Q motor: 160 kW/250 hp 5 % for variable speed drive ATV71Q motor: 315 kW/500 hp 5 % for variable speed drive ATV71Q motor: 355 kW 5 % for variable speed drive ATV630 motor: 132 kW/200 hp 5 % for variable speed drive ATV930 motor: 132 kW/200 hp
Max current	1.5 x nominal current (duration = 60 s)
Efficiency	98 %
Thermal losses	1288 W
Cos phi	1 (150 % of line current) 0.85 (75 % of line current) 0.99 (100 % of line current)

The information provided in this documentation contains general descriptions and/or technical characteristics of the products contained herein. This documentation is not intended as a substitute for and is not to be used for determining suitability or reliability of these products for specific user applications. It is the duty of any such user or integrator to perform the appropriate and complete risk analysis, evaluation and testing of the products with respect to the relevant specific application or use thereof. Neither Schneider Electric Industries SAS nor any of its affiliates or subsidiaries shall be responsible or liable for misuse of the information contained herein.

Electrical connection	A, B terminal, connection capacity: 2.5 mm ² X1-1...X2-3 terminal, connection capacity: 25...300 mm ²
Electrical insulation class	Class F
Product weight	221 kg

Environment

IP degree of protection	IP20 IP55 (enclosure mounting)
Vibration resistance	2 mm peak to peak (f= 5...13.2 Hz) conforming to EN 60068-2-6 0.7 gn (f= 13.2...150 Hz) conforming to EN 60068-2-6
Relative humidity	5...85 % without condensation
Ambient air temperature for operation	45...60 °C (with current derating 3 % per °C) 5...45 °C (without current derating)
Ambient air temperature for storage	-25...55 °C storage in original packaging -25...65 °C during transport
Operating altitude	<= 1000 m without current derating > 1000...4000 m with current derating 5 % per 1000 m
Standards	EN/IEC 61000-3-4 G5/4 engineering recommendation EN/IEC 61000-3-12 EN/IEC 61000-2-2 EN/IEC 61000-3-2 EN/IEC 61000-2-4

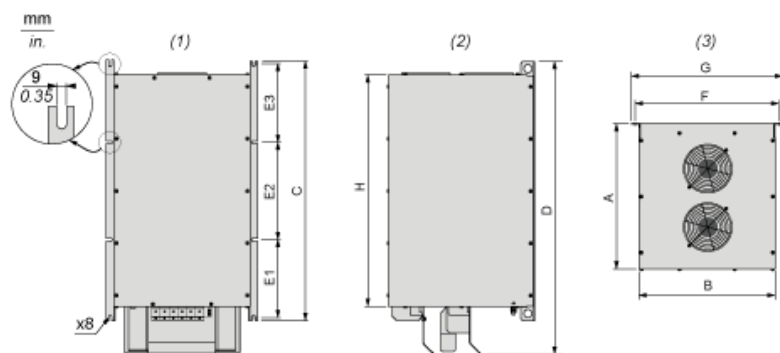
Packing Units

Unit Type of Package 1	PCE
Number of Units in Package 1	1

Offer Sustainability

REACH Regulation	REACH Declaration
REACH free of SVHC	Yes
EU RoHS Directive	Pro-active compliance (Product out of EU RoHS legal scope) EU RoHS Declaration
Toxic heavy metal free	Yes
Mercury free	Yes
China RoHS Regulation	China RoHS Declaration
RoHS exemption information	Yes
California proposition 65	WARNING: This product can expose you to chemicals including: Lead and lead compounds, which is known to the State of California to cause cancer and birth defects or other reproductive harm. For more information go to www.P65Warnings.ca.gov

Dimensions



- (1) Front view
- (2) Right side view
- (3) Top view

Dimensions in mm

A	B	C	D	E1	E2	E3	F	G	H
510	420	800	900.06	240	300	240	443	468	713

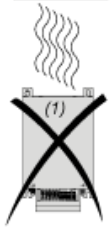
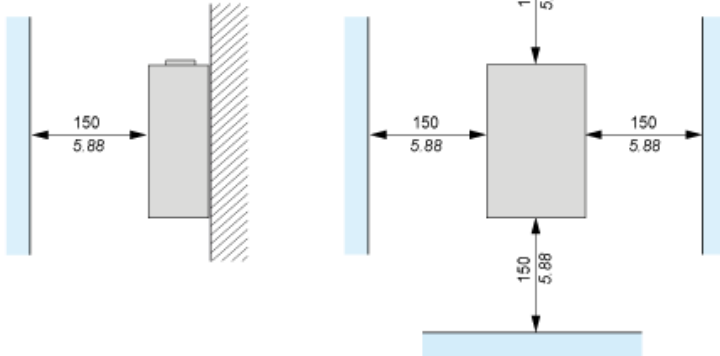
Dimensions in in.

A	B	C	D	E1	E2	E3	F	G	H
20.00	16.54	31.50	35.43	9.45	11.81	9.45	17.44	18.43	28.07

Mounting Recommendations

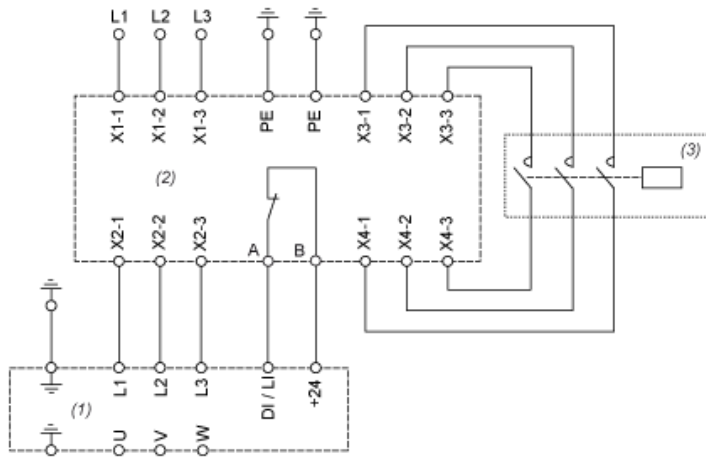
Vertical Mounting Only

mm
in.



(1) Filter

Recommended Schema



- (1) Drive
- (2) Filter
- (3) Optional