



# Datasheet

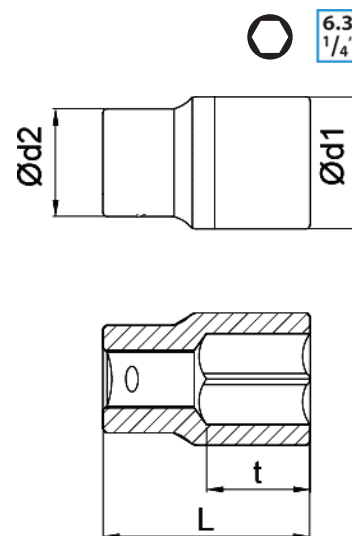
## RS Pro 1/4" Drive Hexagon Sockets

EN



### Product features:

- DIN 3124, ISO 2725-1
- Standard hexagon sockets with 1/4" drive
- Profile enabling high transmission of force to nuts and bolts without damaging the heads.
- Hexagon profile
- Knurled body
- Not suitable for use with airtools• Chrome Vanadium steel
- Mirror chrome finish



| RS CODE NO | mm  | L mm | Ø d1 mm | Ø d2 mm | t mm | gr |
|------------|-----|------|---------|---------|------|----|
| 1923728    | 4   | 25   | 6.7     | 11.8    | 8.5  | 10 |
| 1923729    | 5   | 25   | 7.8     | 11.8    | 8.5  | 10 |
| 1923730    | 5.5 | 25   | 8.2     | 11.8    | 8.5  | 10 |
| 1923731    | 6   | 25   | 9.2     | 11.8    | 8.5  | 11 |
| 1923732    | 7   | 25   | 10.3    | 11.8    | 10.5 | 11 |
| 1923733    | 8   | 25   | 11.8    | 11.8    | 10.5 | 11 |
| 1923734    | 9   | 25   | 12.8    | 11.9    | 10.5 | 13 |
| 1923735    | 10  | 25   | 13.8    | 11.9    | 12.8 | 13 |
| 1923736    | 11  | 25   | 15.8    | 12.9    | 12.8 | 17 |
| 1923737    | 12  | 25   | 16.7    | 13.9    | 12.8 | 19 |
| 1923738    | 13  | 25   | 17.9    | 15.0    | 13.0 | 22 |
| 1923739    | 14  | 25   | 19.7    | 16.0    | 13.0 | 28 |