

Datasheet

RS Pro 8 → 18 V dc 92dB sound Panel Mount Continuous Internal Piezo Buzzer, 3000 → 4000 Hz

RS Stock No: **535-8281**



Product Details

RS Pro internal piezo buzzer operates at a voltage range of 8 - 18 V dc. This continuous buzzer delivers 92 dB sound at a frequency range of 3000 - 4000 Hz. It is suitable for applications that require high sound output.

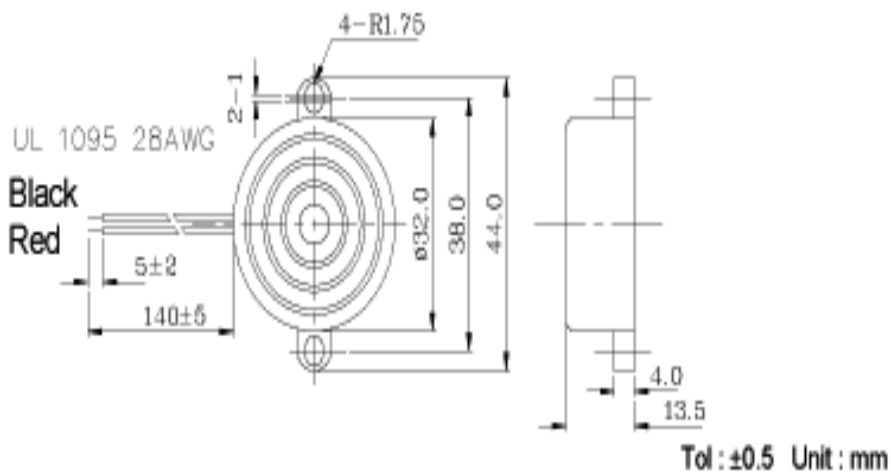
Features and Benefits

- Flanged mounting buzzer
- Flying lead connections
- High output levels
- Internal circuitry for dc operation

**Specifications:**

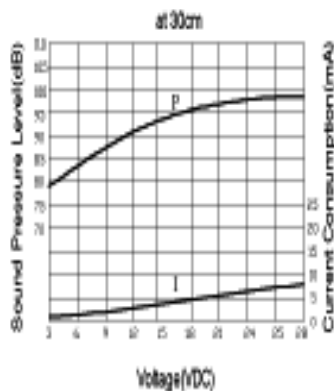
Drive Type	Internal
Mounting Type	Panel Mount
Tone Type	Continuous
Diameter	32 mm
Dimensions	32 (dia.) x 44 x 13.5 mm
Height	13.5 mm
Length	44 mm
Maximum Frequency	4000 Hz
Maximum Operating Temperature	+85°C
Maximum Supply Voltage	18 V dc
Minimum Frequency	3000 Hz
Minimum Operating Temperature	-30°C
Minimum Supply Voltage	8 V dc
Sound Level	92 dB
Supply Current	12 mA

Dimension



Characteristic

KPE-260



KPE-260H

