

FEATURES

- Male-to-male spade connector
- Tab size of 6.35 mm
- Width of 21 mm
- Length of 54 mm
- Crimp termination method
- Copper contacts with a tin-plated finish
- Vinyl insulating material
- Voltage rating of 300 V

RS PRO Spade Connector, 6.35 x 6.35mm Tab Size

RS Stock No.: 510-4731



RS Professionally Approved Products bring to you professional quality parts across all product categories. Our product range has been tested by engineers and provides a comparable quality to the leading brands without paying a premium price.

Product Description

Use this spade connector to connect single wires to relays or components quickly and easily. The connector fits 6.35 mm receptacles and its design enables components to be disconnected from the terminal while the bolt is still partially screwed in.

General Specifications

| | |
|----------------------------|--|
| Insulation | Uninsulated |
| Gender | Male to Male |
| Orientation | Straight |
| Insulation Material | Vinyl |
| Termination Method | Crimp |
| Connector Type | Tab |
| Contact Plating | Tin |
| Contact Material | Brass |
| Applications | Used in domestic appliances, like dishwashers and washing machines |

Electrical Specifications

| | |
|-----------------------|------|
| Voltage Rating | 300V |
|-----------------------|------|

Mechanical Specifications

| | |
|-----------------------|-----------------|
| Tab Size | 6.35mm x 6.35mm |
| Tab Thickness | 6.35mm |
| Tab Width | 21mm |
| Overall Length | 54mm |

Operation Environment Specifications

Temperature Rating

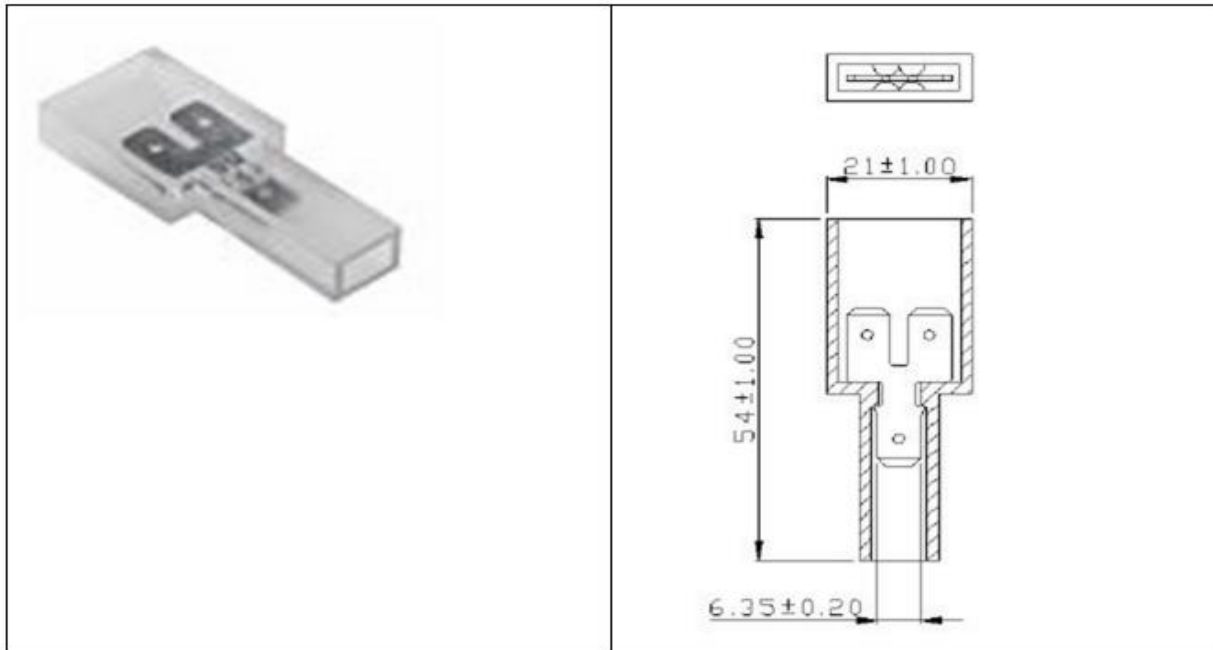
75°C

Approvals

Compliance/Certifications

EN61340





| ITEM NO. | DESCRIPTION | NEMA TAB | DIMENSION inch(mm) | |
|----------|-------------------------------|--------------|--------------------|-------------|
| | | | W | L |
| 510-4731 | 3 MALE TAB FULLY INSULATED | .250 6.35 | 0.827 21 | 2.126 54 |