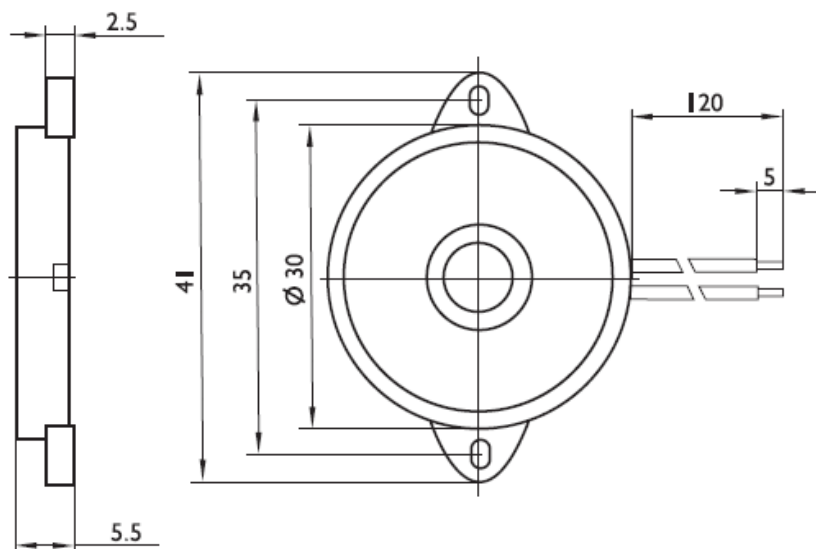


Datasheet

Piezo Buzzer

RS Stock number [724-3150](#)

Dimensions(mm):



Specifications:

Rated Voltage (Vp-p square wave):	9Vp-p
Operating Voltage:	1~30Vp-p
Rated Current at Rated Voltage:	≤ 3mA
Capacitance at 1KHz:	20000 ± 30%pF
Sound Output at 2731Hz at 10cm:	≥ 88dB
Resonant Frequency:	3500 ± 500Hz
Operating Temperature:	-20~ +60°C
Storage Temperature:	-30~ +70°C
Lead Wire:	UL1905 AWG28
Weight:	3.5g

Requires additional electronic circuitry to operate as a sounder

Features:

- ROHS Compliant
- Black in colour
- Housing material: ABS
- Very low profile
- Low current consumption

All data at 25°C unless otherwise specified