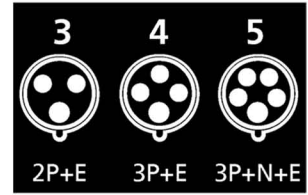
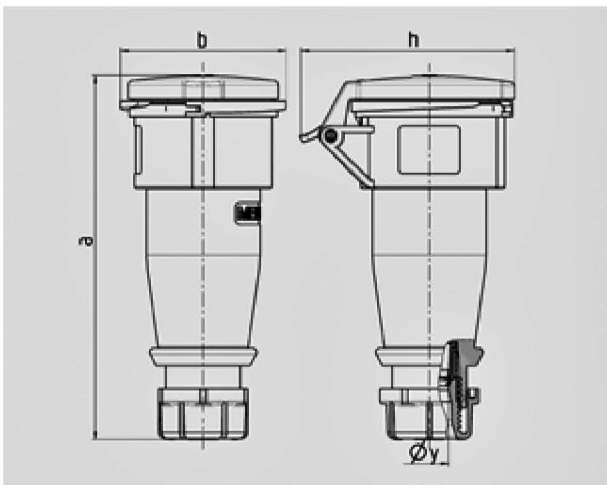


Connector AM-TOP® - Part no. 521



- screw terminals
- single part body
- cable gland and sealing
- strain relief and protection against kinking

Protection type IP 44
 Ampere 32A
 Poles 3p
 Voltage 110V
 Hertz 50-60Hz
 Earth position 4h
 Contact standard
 Connection technology Screw terminals



Drawing	Amp.	16			32		
		3	4	5	3	4	5
3 MB 63	Poles						
Dim. in mm	a	162	165	167	209	209	208
	b	60	68	76	82	82	89
	h	83	92	98	100	100	108
	y	14,5	16	16	22	22	22
Terminal for cond. cross		1	1	1	2,5	2,5	2,5
section (mm²) min.-max.		-2,5	-2,5	-2,5	-6	-6	-6

