



MASTER VALUE LEDs pot LV



MASTER LEDspotLV DimTone 7.5-50W MR16 36D

Philips MASTER VALUE MR16 is the series of Low Voltage (12 VAC) Halogen MR16 replacements. Not only does it employ Philips' patented solution to guarantee the broadest possible compatibility with standard 12 V Halogen electronic transformers, it also delivers beam intensity which is equivalent to the 50 W Philips Halogen MR16 lamps. The form-factor of Philips MASTER Value LED MR16 guarantees a 100% form on the back-side of the lamp (exact fit with Halogen lamps.)

Warnings and Safety

- Operating temperature range is between -20° C and 45° C ambient
- Only to apply in dry or damp locations and most of open fixtures with lamp-holders that offer sufficient space (10 mm free air space)
- Not intended for use with emergency light fixtures or exit lights

Product data

General Information		Correlated Colour Temperature (Nom)	
Cap base	GU5.3		2200 2700 K
Nominal lifetime	25,000 h	Luminous efficacy (rated) (nom.)	82.00 lm/W
Switching Cycle	50,000	Colour consistency	<6
Lighting Technology	LED	Colour rendering index (CRI)	90
Flux measurement reference	Narrow Cone	LLMF at end of nominal lifetime (nom.)	70 %
		Luminous flux in 90° cone (rated)	621 lm
		Photobiological safety according to EN 62471	RG1
Light Technical		Operating and Electrical	
Colour Code	922-927 [CCT of 2200K-2700K]	Line Frequency	- Hz
Beam angle (nom.)	36 degree(s)	Input frequency	- Hz
Luminous Flux	621 lm	Power Consumption	7.5 W
Luminous intensity (nom.)	1,100 cd	Lamp current (nom.)	670 mA
Colour designation	Warm Glow (WG)		

MASTER VALUE LEDspot LV

Wattage equivalent	50 W
Starting time (nom.)	0.5 s
Warm-up time to 60% light	0.5 s
Power Factor (Fraction)	0.7
Voltage (nom.)	ac electronic 12 V

Temperature

T-Case maximum (nom.)	95 °C
-----------------------	-------

Controls and Dimming

Dimmable	Only with specific dimmers
----------	----------------------------

Mechanical and Housing

Bulb shape	MR16
Net Weight (Piece)	0.045 kg

Approval and Application

Energy Efficiency Class	F
Suitable for accent lighting	Yes
Energy consumption kWh/1,000 hours	8 kWh
EPREL Registration Number	453186

CE mark	Yes
EU RoHS compliant	Yes
EyeComfort	Yes

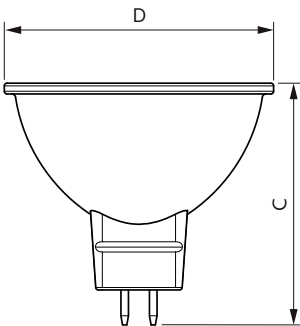
Application Conditions

Can it be used in closed luminaires	No
-------------------------------------	----

Product Data

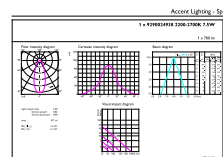
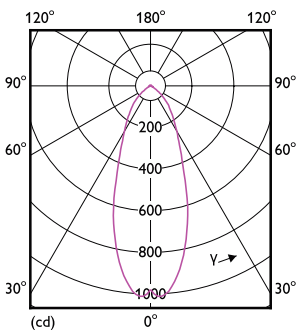
Order product name	MAS LEDspotLV DimTone 7.5-50W MR16 36D
Full product name	MASTER LEDspotLV DimTone 7.5-50W MR16 36D
Full EOC	871951430744500
Order code	30744500
Material no. (12 NC)	929002493802
Numerator – quantity per pack	1
EAN/UPC – Product/Case	8719514307445
Numerator – packs per outer box	10
EAN/UPC - Case	8719514307452

Dimensional drawing



Product	D	C
MAS LEDspotLV DimTone 7.5-50W MR16 36D	50.5 mm	45.5 mm

Photometric data



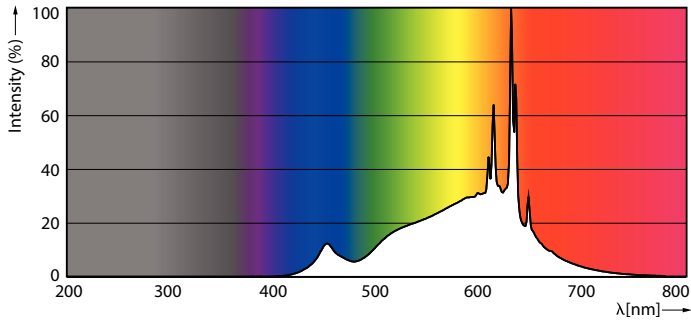
Copyright: Philips Lighting B.V. Page 1/1

Light Distribution Diagram - MAS LEDspotLV DimTone 7.5-50W MR16 36D

Accent Lighting Spots - MAS LEDspotLV DimTone 7.5-50W MR16 36D

MASTER VALUE LEDspot LV

Photometric data



Spectral Power Distribution Colour - MAS LEDspotLV DimTone 7.5-50W
MR16 36D

Lifetime



Life Expectancy Diagram



Lumen Maintenance Diagram - MAS LEDspotLV DimTone 7.5-50W MR16
36D

