



ENGLISH

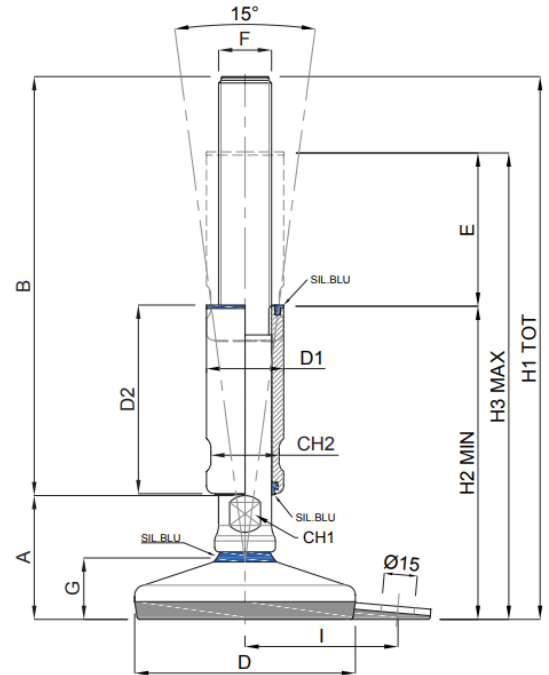
RS PRO Stainless Steel 3A Certified Bolt Down Hygienic Foot

The RS Pro Height Adjustable mounts have a High-gloss polished AISI 304 stainless steel surface with a vulcanized NBR 85 shore anti-slip rubber pad and bolt/down option. This range have a 15° articulated half-threadless hygienic stem, bolt down foot and a stainless steel thread-covering sleeve making them easy to clean. Mounted with an external top and internal bottom blue silicone gasket to help prevent dirt intrusion.

3A Certified

Typical Applications Include:

- Dairy and Meat Processing
- Hygienic Environments
- Food processing



Article Number	E	F	B	D	CH1	G	A	D1	D2	CH2	H2	H3	H1	I	Load (kg)
2378184	45	M16	140	100	13	28	56	24	60	20	117	162	196	69	2500
2378185	45	M20	140	100	17	28	56	30	60	26	117	162	196	69	2500
2378186	45	M24	140	100	20	28	56	35	60	30	117	162	196	69	2500
2378187	65	M30	185	100	26	28	56	42	85	36	142	207	241	69	2500
2378188	45	M12	140	60	13	23	51	24	60	20	112	157	191	45	1000
2378189	70	M16	190	80	13	25	53	24	85	20	139	209	243	54	2000
2378190	45	M16	140	80	13	25	53	24	60	20	114	159	193	54	2000
2378191	55	M20	142	80	17	25	53	30	70	26	123	178	195	54	2000