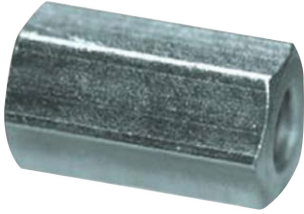


Hex Female M3 Standoff

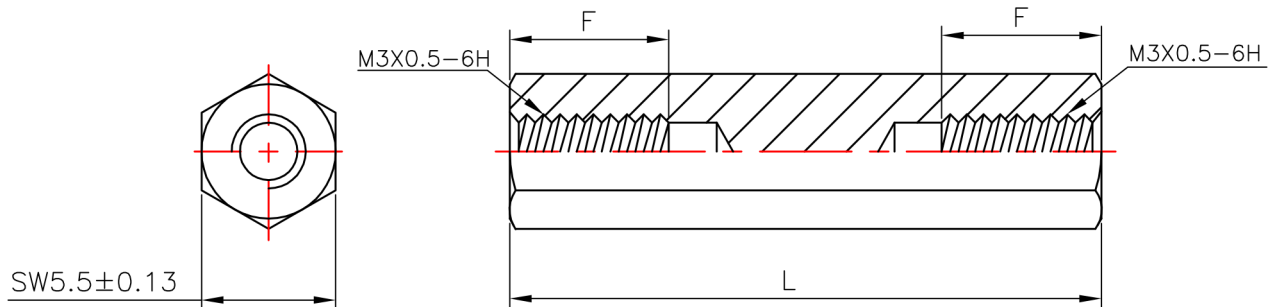
multicomp PRO

**RoHS
Compliant**



Specifications

Material : Carbon Steel.
Heat Treatment : None.
Finish : Zinc Plated.



Dimensions : Millimetres

Part Number Table

Description	L	F	Part Number
Hex Female M3 Standoff, Steel, 6mm	6 ±0.13	-	MP008189
Hex Female M3 Standoff, Steel, 10mm	10 ±0.13		MP008190
Hex Female M3 Standoff, Steel, 11mm	11 ±0.13		MP008191
Hex Female M3 Standoff, Steel, 15mm	15 ±0.13		MP008192
Hex Female M3 Standoff, Steel, 16mm	16 ±0.13	7Min	MP008193
Hex Female M3 Standoff, Steel, 17mm	17 ±0.13		MP008194
Hex Female M3 Standoff, Steel, 20mm	20 ±0.13		MP008195
Hex Female M3 Standoff, Steel, 22mm	22 ±0.13		MP008196
Hex Female M3 Standoff, Steel, 40mm	40 ±0.13		MP008197

Important Notice : This data sheet and its contents (the "Information") belong to the members of the AVNET group of companies (the "Group") or are licensed to it. No licence is granted for the use of it other than for information purposes in connection with the products to which it relates. No licence of any intellectual property rights is granted. The Information is subject to change without notice and replaces all data sheets previously supplied. The Information supplied is believed to be accurate but the Group assumes no responsibility for its accuracy or completeness, any error in or omission from it or for any use made of it. Users of this data sheet should check for themselves the Information and the suitability of the products for their purpose and not make any assumptions based on information included or omitted. Liability for loss or damage resulting from any reliance on the Information or use of it (including liability resulting from negligence or where the Group was aware of the possibility of such loss or damage arising) is excluded. This will not operate to limit or restrict the Group's liability for death or personal injury resulting from its negligence. Multicomp Pro is the registered trademark of Premier Farnell Limited 2019.

Newark.com/multicomp-pro
Farnell.com/multicomp-pro
Element14.com/multicomp-pro

multicomp PRO