

## FEATURES

- Operating temperature range is from - 15 °C to 150°C
- Fluid for food and chemical industry compatible
- Stainless steel body

# RS PRO VALVE INOX F-F 1/8-1/8

RS Stock No.: 2312713



RS PROfessionally Approved Products bring to you professional quality parts across all product categories. Our product range has been tested by engineers and provides a comparable quality to the leading brands without paying a premium price.

## Product Description

The RS PRO valve inox f-f 1/8-1/8 works in - 0.99 bar to 40 bar pressure range. It is made up of stainless steel. It has operating temperature range is from -15 °C to + 150 °C. Compatible working with Compressed air / Vacuum / Water / Oils. RoHS and REACH compliant.

## General Specifications

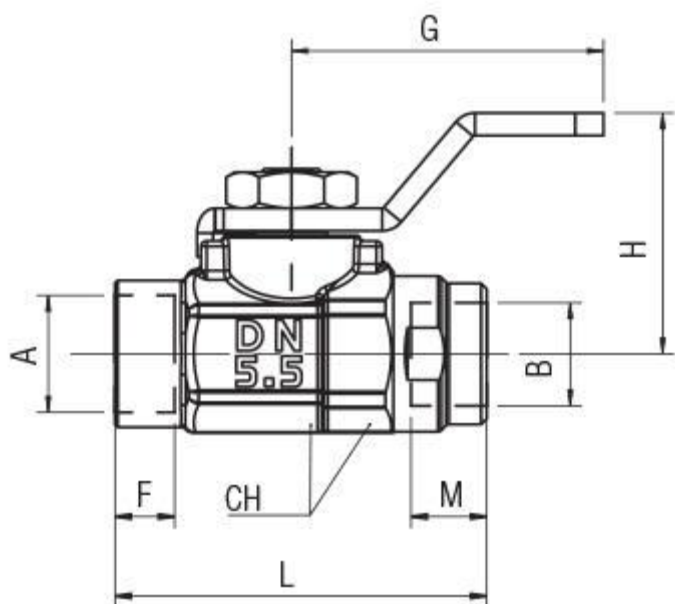
<b>Type</b>	Process Ball Valve
<b>Handle Type</b>	1/4 in Turn Valve\
<b>Applications</b>	Heating systems; Water treatment; Liquid flow control

## Mechanical Specifications

<b>Attachment Type</b>	1/8 in BSP Female
<b>Compression Fitting Size</b>	Ghinox
<b>Threaded Connection</b>	Stainless Steel
<b>Thread Size</b>	Ball Valve
<b>Maximum Working Pressure</b>	40 bar
<b>Nominal Flow Diameter</b>	5.5mm
<b>Handle Length</b>	28mm
<b>Length</b>	33mm
<b>Wrench Size</b>	14mm-15mm

## Similar Products

Parameters	2312716	2312717
Brand	RS PRO	RS PRO
Type	Process Ball Valve	Threaded Fitting
Attachment Type	1/8 in BSPP Female, 1/8 in BSPP Male	1/4 in BSPP Female, 1/4 in BSPP Male
Threaded Connection	Stainless Steel	Stainless Steel
Thread Size	Ball Valve	Ball Valve



A	B	DN	CH	F	M	L	G	H	Pack.
1/8	1/8	5.5	14-15	8.5	8.5	33	28	21.5	2