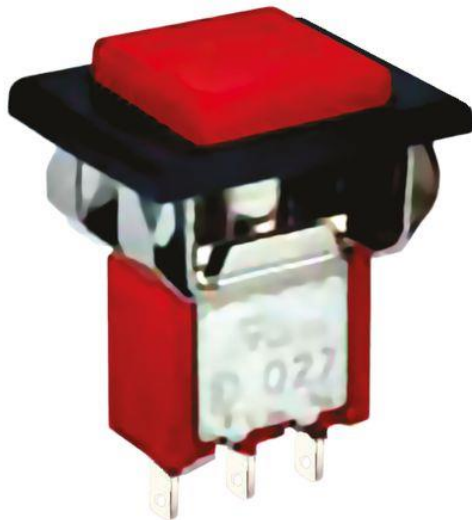


## Datasheet

### Red, DPDT Panel Mount ON-(ON) Push Button Switch

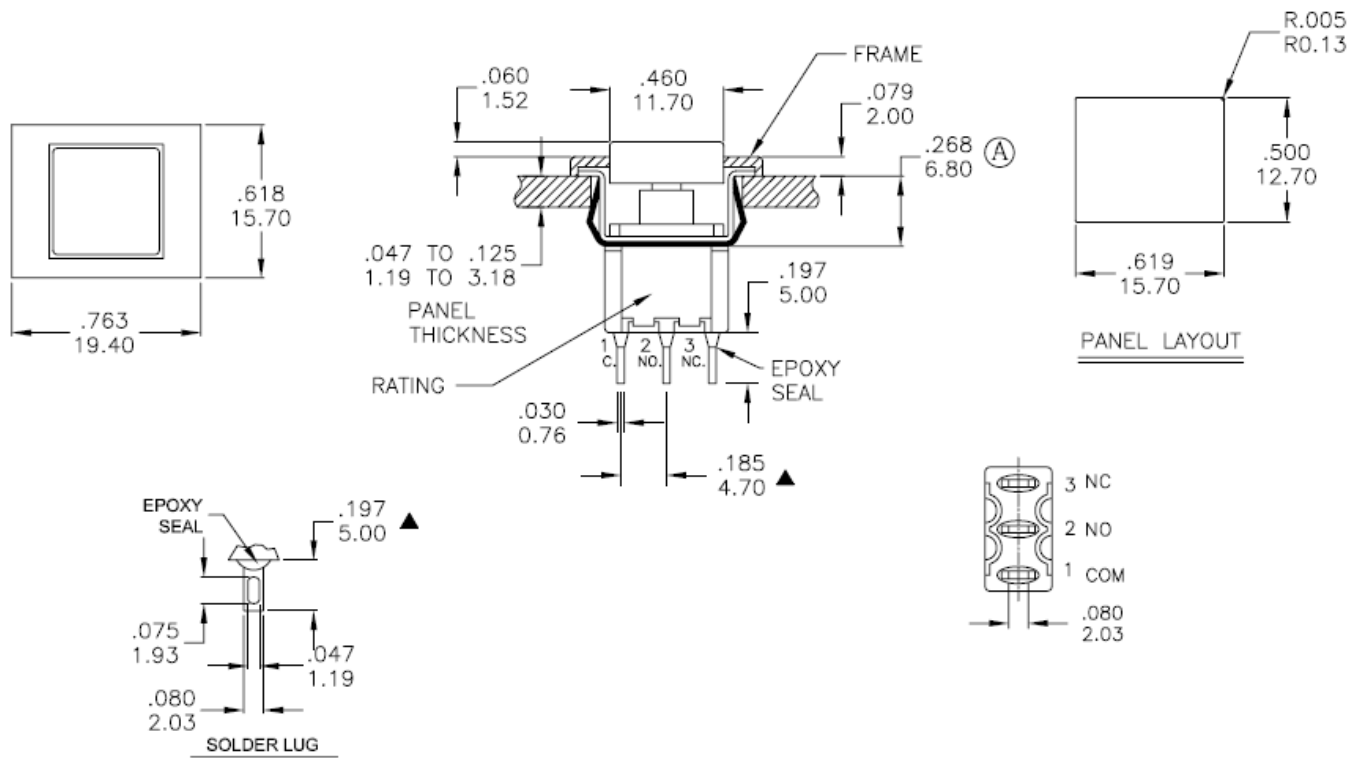
RS Stock number 734-6779



#### Specifications:

Mechanical Life:	50,000 make-and-break cycles
Contact Resistance:	20m $\Omega$ max. Initial @ 2-4V DC, 100mA for both silver and gold plated
Insulation Resistance:	1,000M $\Omega$ min.
Dielectric Strength:	1,000Vrms @ sea level
Operating Temperature:	-30°C to 85°C
Case:	Diallyl phthalate (DAP) (UL94V-0)
Plunger:	Glass filled nylon or glass filled polyester
Bushing:	Brass, nickel plated
Housing:	Stainless Steel
Contact:	Silver or gold plated
RoHS:	2002/95/EC

**Dimensions – inch  
mm**



Model No.	POS.1	POS.2
7MS7	ON	MOM
Term. Comm.	1-3	1-2
SCHMATIC		

SWITCH FUNCTION