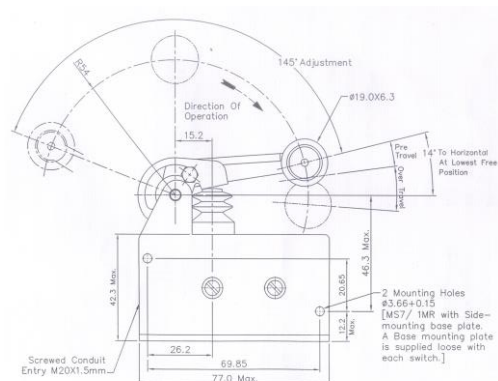


## FEATURES

- GENERAL PURPOSE MICRO SWITCH HAVING HEAVY-DUTY ZINC ALLOY HOUSING AND HAVE M20X1.5MM CONDUIT ENTRY.
- MOULDED-CASED INTERIOR SWITCH; ZINC ALLOY LEVER WITH FREE RUNNING PLASTIC ROLLER.
- TWO TYPES OF BASE PLATES ARE PROVIDED. SO THAT EACH SWITCH IS SUITABLE FOR EITHER SIDE MOUNTING OR BASE MOUNTING.
- CONFORM TO IEC1508-1 STANDARD.

# RS PRO Miniature Micro Switch

RS Stock No.: 804-6186



RS Professionally Approved Products bring to you professional quality parts across all product categories. Our product range has been tested by engineers and provides a comparable quality to the leading brands without paying a premium price.

## Product Description

- *Single-pole changeover, snap-acting switch.*
- *Beryllium copper trident spring operating mechanism.*
- *Moulded-cased interior switch; zinc alloy lever with free running plastic roller. Adjustable through 145°, M4hexagonal head adjustment lock. Lever ratio 3.6:1.*
- *M3 terminals screws with washers located in 4.0mm wiring channels and protected by a removable insulated base plate.*

## General Specifications

|                              |  |
|------------------------------|--|
| <b>Contact Configuration</b> | SPDT   |
| <b>Contact Arrangement</b>   | 1No + 1NC, snap action.                      |
| <b>Contacts</b>              | Fine silver.                                 |
| <b>Terminals</b>             | M3 brass screws with washers, nickel plated. |
| <b>Case</b>                  | Phenolic thermo-setting plastic.             |
| <b>Housing</b>               | Heavy-duty zinc alloy enclosure.             |
| <b>Plunger</b>               | Spring plunger protected by cowl.            |

## Electrical Specifications

| Electrical Rating            |                      |                                   |
|------------------------------|----------------------|-----------------------------------|
|                              | Load                 | Rating                            |
|                              | <b>AC(Resistive)</b> | 15A at 125V or 15 A at 250V.      |
|                              | <b>AC(Inductive)</b> | 5 A at 125V or 5 A at 250V.       |
|                              | <b>DC(Resistive)</b> | 0.5 A at 125V or 0.25 A at 250V.  |
|                              | <b>DC(Inductive)</b> | 0.03 A at 125V or 0.02 A at 250V. |
| <b>Contact Resistance</b>    |                      | 10 milliohms (max.).              |
| <b>Insulation Resistance</b> |                      | 1000 Megaohms (min.).             |
| <b>Voltage Proof</b>         |                      | 1 KV AC for one minute.           |
| <b>Electrical life</b>       |                      | 50,000 Operations.                |
| <b>Mechanical life</b>       |                      | 1 million Operations.             |

## Mechanical Specifications

|                                   |   |
|-----------------------------------|---|
| <b>Actuating Force (AF)</b>       | 510 gmsmax.   |
| <b>Release Force (RF)</b>         | 113 gms.(min.).   |
| <b>PreTravel</b>                  | 6.5°.(max.).  |
| <b>Movement Differential (MD)</b> | 0.5°.(max.).  |
| <b>Overtravel</b>                 | 14°.  |
| <b>Actuator</b>                   | Zinc alloy roller-lever with free running nylon roller. Adjustable through 145° M4 hexagonal head adjustment lock. Lever ratio 3.6:1..  |
| <b>Mounting</b>                   | Each switch is fitted with side-mounting base plate. A base mounting plate is supplied loose with each switch. Use two screws of M3.5 or #6 unified thread for side mounting and four screws for base mounting. |
| <b>Unit Weight</b>                | 242 gms. Approx.  |

## Operation Environment Specifications

|                                    |                 |
|------------------------------------|-----------------|
| <b>Operating Temperature Range</b> | -10°C to +70°C. |
|------------------------------------|-----------------|

## Protection Category

|                  |                   |
|------------------|-------------------|
| <b>IP Rating</b> | IP54 (enclosure). |
|------------------|-------------------|

## Approvals

|                                  |         |
|----------------------------------|---------|
| <b>Compliance/Certifications</b> | CE/CSA. |
|----------------------------------|---------|

## Similar Products

| Parameters                    | Stock# | Stock# | Stock# | Stock# |
|-------------------------------|--------|--------|--------|--------|
| Brand                         | RS PRO | RS PRO | RS PRO | RS PRO |
| Contact Configuration         |        |        |        |        |
| Switch Operation              |        |        |        |        |
| Illuminated                   |        |        |        |        |
| Actuator Colour               |        |        |        |        |
| Actuator Shape                |        |        |        |        |
| Legend Text                   |        |        |        |        |
| Legend Text Colour            |        |        |        |        |
| Lens Shape/Symbol             |        |        |        |        |
| Contact Material              |        |        |        |        |
| Case Material                 |        |        |        |        |
| Actuator Style                |        |        |        |        |
| Contact Current Rating        |        |        |        |        |
| AC Voltage Rating             |        |        |        |        |
| DC Voltage Rating             |        |        |        |        |
| Terminal Type                 |        |        |        |        |
| Termination Style             |        |        |        |        |
| Contact Resistance            |        |        |        |        |
| Minimum Insulation Resistance |        |        |        |        |
| Dielectric Strength           |        |        |        |        |
| Panel Cut Out Size            |        |        |        |        |
| Panel Cut Out Width           |        |        |        |        |
| Panel Cut Out Height          |        |        |        |        |
| Panel Cut Out Diameter        |        |        |        |        |
| Mounting Type                 |        |        |        |        |
| Operating Temperature Range   |        |        |        |        |
| IP Rating                     |        |        |        |        |
| Compliance/Certifications     |        |        |        |        |

## CONSTRUCTIONAL DIAGRAM/CIRCUIT DIAGRAMS