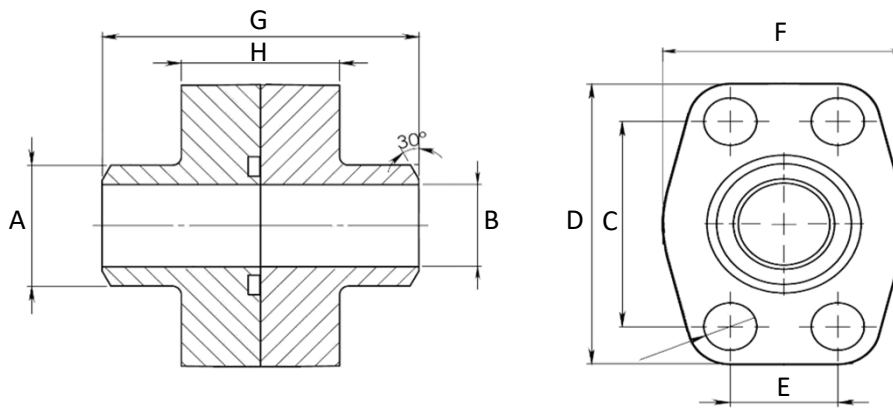


WELD ON DOUBLE FLANGES SCH80



Series 3000

WP (Bar)	Size	Type	Dimensions								
			A	B	C	D	E	F	G	H	Screws
345	1/2"	DFS080ST	21.5	13.0	38.10	54	17.48	46	72	32	M8 x 30
345	1/2"	DFS080ST038	17.5	13.0	38.10	54	17.48	46	72	32	M8 x 30
345	3/4"	DFS100ST	28.0	19.0	47.63	65	22.23	50	72	36	M10 x 35
345	1"	DFS102ST	34.0	25.0	52.37	70	26.19	55	76	36	M10 x 35
276	1 1/4"	DFS104ST	42.8	32.0	58.72	79	30.18	68	82	42	M10 x 40
207	1 1/2"	DFS106ST	48.6	38.0	69.85	93	35.71	78	90	50	M12 x 45
207	2"	DFS108ST	61.0	49.0	77.77	102	42.88	90	90	50	M12 x 45
172	2 1/2"	DFS110ST	77.0	59.0	88.90	114	50.80	105	100	50	M12 x 45
138	3"	DFS112ST	92.0	73.0	106.38	134	61.93	124	100	54	M16 x 50
34	3 1/2"	DFS114ST	103.0	85.0	120.65	152	69.85	136	96	54	M16 x 50

Series 6000

WP (Bar)	Size	Type	Dimensions								
			A	B	C	D	E	F	G	H	Screws
414	1/2"	DFS401ST012	21.5	13.0	40.49	54	18.24	46	72	32	M8 x 30
414	1/2"	DFS401ST038	17.5	13.0	40.49	54	18.24	46	72	32	M8 x 30
414	3/4"	DFS402ST	28.0	19.0	50.80	71	23.80	55	70	42	M10 x 40
414	1"	DFS403ST	34.0	25.0	57.15	81	27.76	65	82	42	M12 x 45
375	1 1/4"	DFS404ST	42.8	32.0	66.68	95	31.75	78	88	50	M14 x 45
320	1 1/2"	DFS405ST	48.6	38.0	79.38	112	36.50	94	100	60	M16 x 50
250	2"	DFS406ST	61.0	49.0	96.82	134	44.45	114	130	74	M20 x 70
230	2 1/2"	DFS507ST	76.6	59.0	123.80	180	58.70	152	160	90	M24 x 80
200	3"	DFS508ST	90.0	73.0	152.40	208	71.40	178	180	110	M30 x 100

Designation for Order:

Double Flanges
(Flat side & Oring side)

ST52.3	DFS...ST
SS316	DFX...ST

Counter-Flanges
(Flat side)

ST52.3	GFS...ST
SS316	GFX...ST

Flanges
(Oring side)

ST52.3	AFS...ST
SS316	AFX...ST