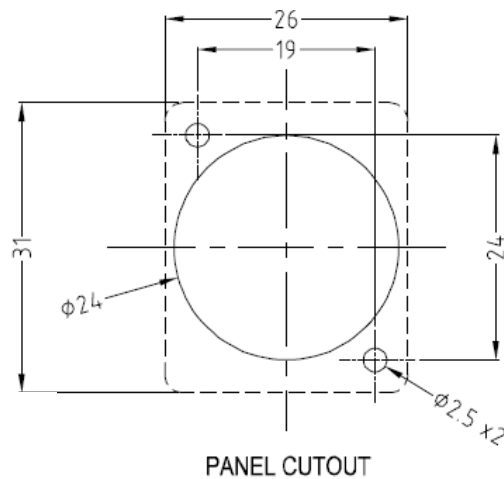


# Datasheet

## Feed Through Connectors



True feed through connectors are perfect for developing custom I/O configurations for wall-plates, rack panels, etc. ALL fit within a standard XLR panel cutout, and use common cabling for front and back connections. No soldering, no punch terminations, just use the standard cable for that particular connector style. Mount from the front or back, low rear profile accommodates the tightest “behind the panel” spaces. Available in a wide variety of styles.



|    | <b>Part No.</b><br>8987602<br>8987605  | <b>Description</b><br>USB 2.0 A to USB 2.0 B, Nickel Plated, CSK hole.<br>As above with Plain hole  |
|---|--|---|
|    | <b>8987609</b><br><b>8987618</b>   | Toslink, CSK Hole<br>As above with Plain hole   |
|  | <b>8987611</b><br><b>8987615</b><br><b>8987624</b><br><b>8987627</b><br><b>8987621</b><br><b>8987630</b> | RCA Phono RED, CSK Hole<br>As above with Plain hole<br>RCA Phono WHITE, CSK Hole<br>As above with Plain hole<br>RCA Phono YELLOW, CSK Hole<br>As above with Plain hole<br>Other colours available on request. |
|  | <b>8987633</b><br><b>8987637</b>   | 2 Wire Terminal, CSK Hole<br>As above with Plain hole<br>Low voltage use only. Max rating 25VAC, 60VDC, 10A.  |
|  | <b>8987646</b><br><b>8987649</b>   | Blanking Plate, CSK Hole<br>As above with Plain hole  |