

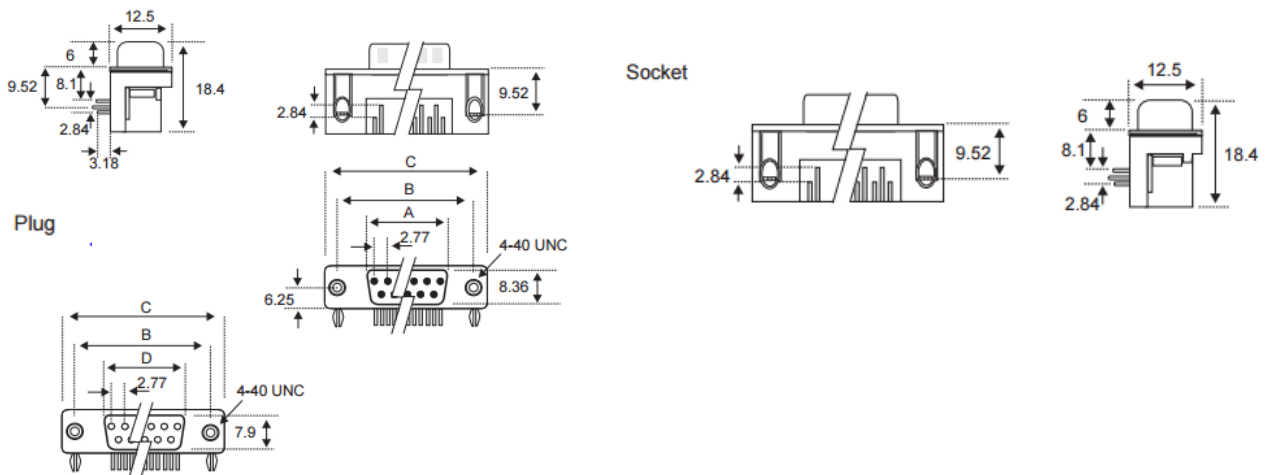
# Datasheet

## 2.77mm Pitch 15 Way Right Angle Through Hole Mount PCB D-sub Connector with plug

RS Stock number 239-5861



### Dimensions: (mm)



### Specifications

- Shell: Steel
- Shell Finish: Tin Plated
- Insulator: GF Polyester
- Insulator Rating: UL94V-O
- Contacts: Male – Brass  
Female – Phosphor Bronze
- Current Rating: 5A
- Working voltage: 350V DC or AC Peak
- Contact Resistance (max): 30mΩ
- Insulation Resistance (min): 10<sup>6</sup>mΩ
- Temperature Range: -55°C to +105°C
- Environmental Classification: N/A
- Mating Cycles (min): 100
- Dielectric Withstanding Voltage: 1000V for 1 minute
- Gold Thickness: Exceeding 1 micro inch, not over 3 micro inch