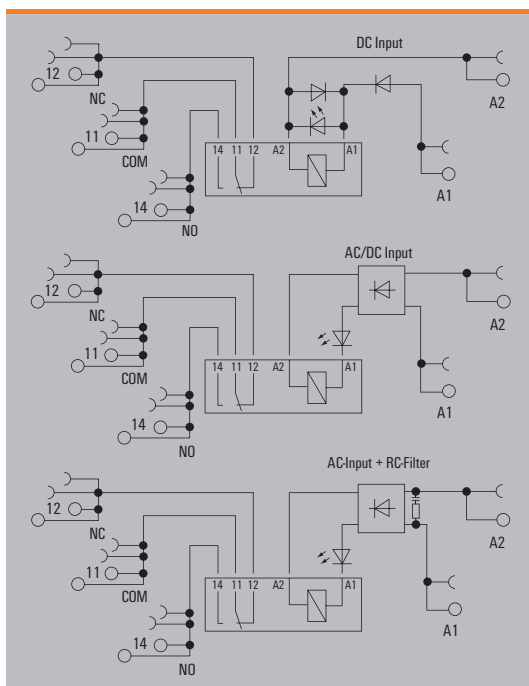
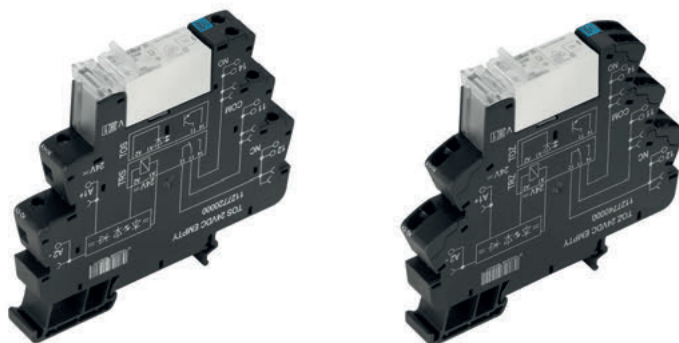


1 CO contact
AC / DC / UC coil

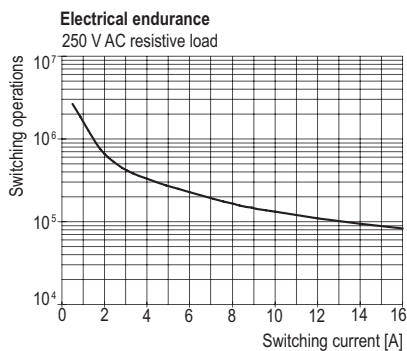
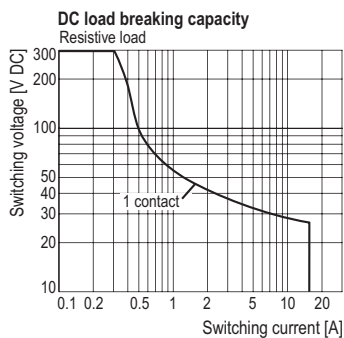
- Space-saving, 12.8 mm wide
- 16 A AgNi contact
- Internal cross-connection of the output terminals
- Screw and tension clamp connection



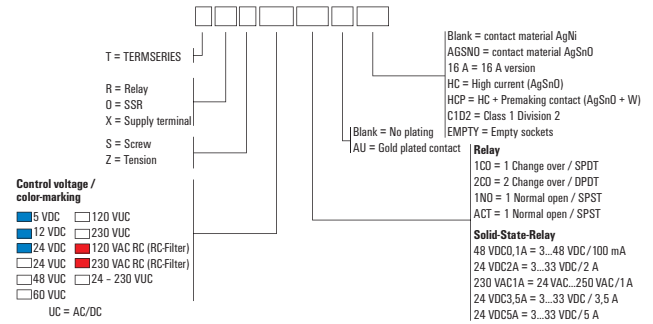
Technical data

Output			
Rated switching voltage / Continuous current	250 V AC / 16 A		
Max. switching voltage, AC	250 V		
Inrush current	30 A / 4 s		
Min. switching power	10 mA @ 10 V, 100 mA @ 5 V		
DC / AC Switching capacity (resistive), max.	384 W @ 24 V / 4000 VA		
Contact material	AgNi		
Mechanical service life	30 x 10 ⁶ switching cycles		
Max. switching frequency at rated load	0.1 Hz		
Rated data			
Ambient temperature (operational)	-40 °C...60 °C		
Storage temperature	-40 °C...85 °C		
Humidity	5-95% rel. humidity, T _v = 40°C, no condensation		
Approvals	CE, cULus, DNVGL		
Insulation coordinates			
Rated voltage	300 V		
Impulse withstand voltage	6 kV (1.2/50 µs)		
Dielectric strength input - output	1.2 kV _{eff} / 5 s		
Dielectric strength of neighbouring contacts			
Dielectric strength to mounting rail	4 kV _{eff} / 1 min.		
Creepage and clearance distance input - output	≥ 5.5 mm		
Oversoltage category	III		
Pollution degree	2		
Dimensions			
Clamping range (nominal / min. / max.)	mm ²	Screw connection	Tension clamp connection
		1.5 / 0.14 / 2.5	1.5 / 0.14 / 2.5
Depth x width x height	mm	87.8 / 12.8 / 89.6	87.8 / 12.8 / 90.5
Note			

Applications



1 CO contact
AC / DC / UC coil



Ordering data	5 V DC	12 V DC	24 V DC	24 V UC	48 V UC
Input					
Rated control voltage	5 V DC ± 20 %	12 V DC ± 20 %	24 V DC ± 20 %	24 V UC ± 10 %	48 V UC ± 10 %
Rated current AC / DC	/ 70 mA	/ 33.3 mA	/ 21 mA	16 mA / 14 mA	9 mA / 7 mA
Power rating	400 mW	420 mW	530 mW	390 mVA / 350 mW	340 mW / 0.4 VA
Pull-in/drop-out voltage, typ.	3 V / 1.6 V DC	8 V / 3 V DC	18 V / 4 V DC	16 V / 9 V AC 18 V / 8 V DC	29 V / 11 V AC 33 V / 11 V DC
Pull-in/drop-out current, typ.	21.6 mA / 8 mA DC	21 mA / 5 mA DC	15.5 mA / 2.8 mA DC	11 mA / 4 mA AC 10 mA / 2 mA DC	6 mA / 3 mA AC 5 mA / 1.5 mA DC
Status indicator	Green LED	Green LED	Green LED	Green LED	Green LED
Protective circuit	Free-wheel diode, Reverse polarity protection	Free-wheel diode, Reverse polarity protection	Free-wheel diode, Reverse polarity protection	Rectifier	Rectifier
Output					
Switch-on delay	≤ 11 ms	≤ 11 ms	≤ 7 ms	≤ 11 ms	≤ 11 ms
Switch-off delay	≤ 7 ms	≤ 8 ms	≤ 16 ms	≤ 7 ms	≤ 7 ms
Ordering data					
Screw connexion Type Order No.	TRS 5VDC 1CO 16A 1479650000	TRS 12VDC 1CO 16A 1479670000	TRS 24VDC 1CO 16A 1479680000	TRS 24VUC 1CO 16A 1479690000	TRS 48VUC 1CO 16A 1479700000
Tension-clamp conn. Type Order No.	TRZ 5VDC 1CO 16A 1479800000	TRZ 12VDC 1CO 16A 1479820000	TRZ 24VDC 1CO 16A 1479840000	TRZ 24VUC 1CO 16A 1479850000	TRZ 48VUC 1CO 16A 1479870000
Note					
Ordering data					
Input					
Rated control voltage	60 V UC ± 10 %	120 V UC ± 10 %	230 V UC ± 5 %	120 V AC ± 10 %	230 V AC ± 5 %
Rated current AC / DC	8 mA / 6.1 mA	3.5 mA / 3.5 mA	4 mA / 4 mA	5.5 mA /	10 mA /
Power rating	480 mVA / 360 mW	420 mVA / 420 mW	920 mVA / 920 mW	0.73 VA	2.1 VA
Pull-in/drop-out voltage, typ.	36 V / 13 V AC 40 V / 14 V DC	64 V / 26 V AC 69 V / 22 V DC	112 V / 43 V AC 129 V / 36 V DC	65 V / 23 V AC	112 V / 45 V AC
Pull-in/drop-out current, typ.	5 mA / 2.5 mA AC 4 mA / 1.2 mA DC	2 mA / 1 mA AC 2 mA / 1 mA DC	2 mA / 1 mA AC 2 mA / 1 mA DC	3.5 mA / 1 mA AC	5 mA / 2 mA AC
Status indicator	Green LED	Green LED	Green LED	Green LED	Green LED
Protective circuit	Rectifier	Rectifier	Rectifier	Rectifier, RC element	Rectifier, RC element
Output					
Switch-on delay	≤ 11 ms	≤ 11 ms	≤ 14 ms	≤ 11 ms	≤ 14 ms
Switch-off delay	≤ 7 ms	≤ 7 ms	≤ 22 ms	≤ 7 ms	≤ 12 ms
Ordering data					
Screw connexion Type Order No.	TRS 60VUC 1CO 16A 1479710000	TRS 120VUC 1CO 16A 1479730000	TRS 230VUC 1CO 16A 1479740000	TRS 120VAC RC 1CO 16A 1479750000	TRS 230VAC RC 1CO 16A 1479760000
Tension-clamp conn. Type Order No.	TRZ 60VUC 1CO 16A 1479880000	TRZ 120VUC 1CO 16A 1479890000	TRZ 230VUC 1CO 16A 1479900000	TRZ 120VAC RC 1CO 16A 1479910000	TRZ 230VAC RC 1CO 16A 1479920000
Note					