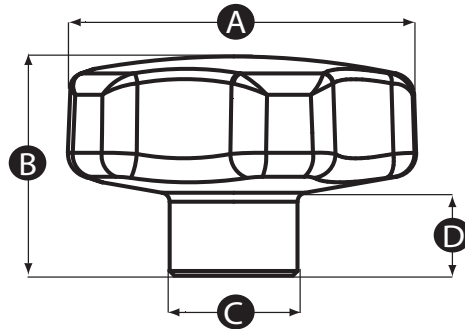


DataSheet

Through Thread Metal Lobe Knob



Material

Aluminium

Finish

Highly polished

Thread

Machined thread

Part No.	A	B	C	D	Thread size
478422	40	24	14	8	M6
478428	40	24	14	8	M8
478377	50	31	18	10	M8
478387	50	31	18	10	M10
478400	60	39	20	14	M10
478618	60	39	20	14	M12