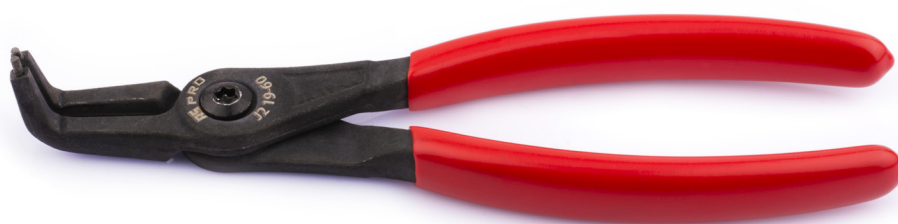




Datasheet

RS Pro Internal Circlip Pliers/Bent-Without Spring

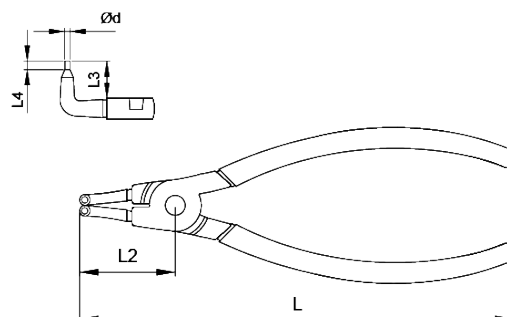
EN



Forged in Germany

Product feature:

- For fitting and removal of internal circlips
- Bent tips
- Chrome Vanadium steel
- Phosphate finish
- PVC sleeves



RS CODE NO	CODE NO	L mm-inch	L2 mm	L3 mm	L4 mm	Ød mm	Ø	gr
1829980	E68-44-0180RS	180mm / 7"	39	16	2.5	1.8	19-60	178