

Datasheet

ENGLISH

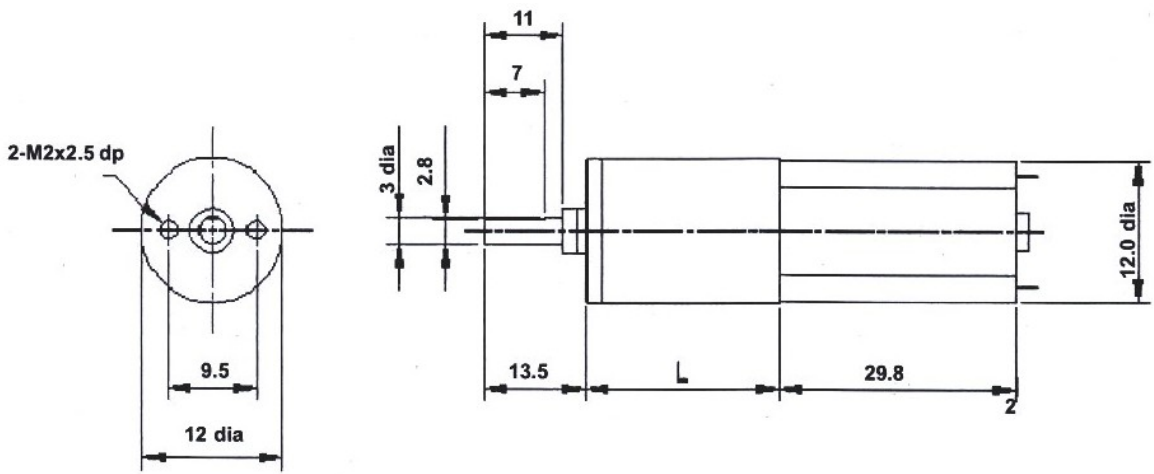
RS PRO, 3 V dc, 250 gcm, Brushed DC Geared Motor, Output Speed 195 rpm

Stock No: 420-722



Specifications:

Output Speed	195 rpm
Supply Voltage	3 V dc
Maximum Output Torque	250 g.cm
DC Motor Type	Brushed
Shaft Diameter	3mm
Power Rating	0.62 W
Gearhead Type	Planetary
Length	51.8mm
Width	12mm
Current Rating	450 mA
Weight	29g



Operating relative humidity 20% ~ 85%
 Operating temperature range -10°C ~ +60°C

Ratio	L
64:1	22.0mm

Gearbox Housing material	Metal
Backlash at no-load	< 3°
Bearing at output	Sleeve bearings
Radial load (10mm from flange)	< 0.5 kgf
Shaft axial load	< 0.5 kgf
Shaft press fit force max	< 1.5 kgf
Radial play of shaft	< 0.05mm
Thrust play of shaft	< 0.20mm

Reduction Ratio	Rated tolerance Torque	Max momentary Tolerance Torque	Efficiency
1/64	1.6 kgf-cm Max.	4.8 kgf-cm	65%

Reduction Table RPM	3v
SUPPLY VOLTAGE	
420-722	195

Note: Motor speeds may vary by (+) or (-) 12.5%