

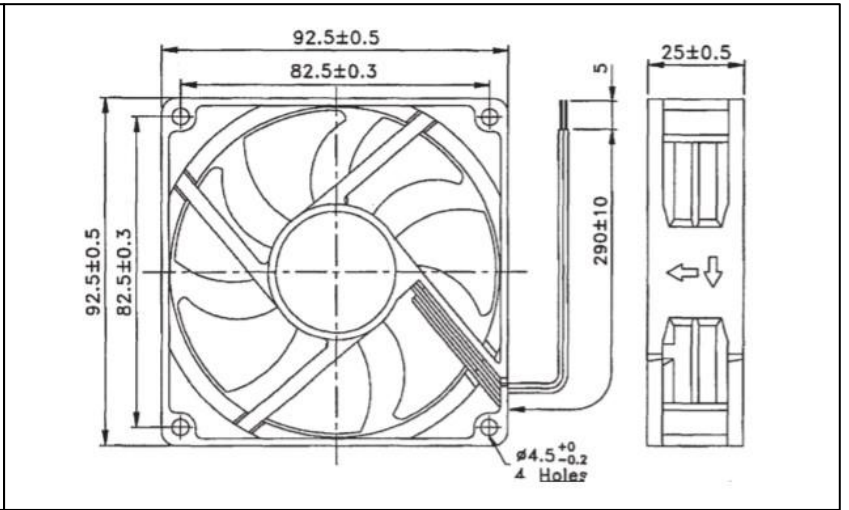


Datasheet

RS PRO DC FAN 92x25mm

Stock Number: 541-5312

EN



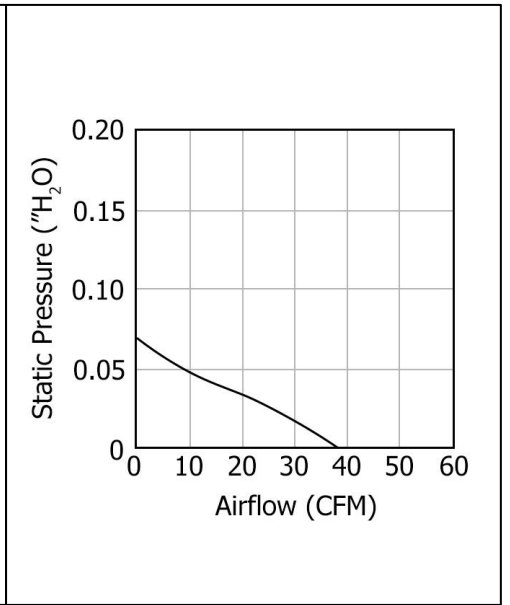
Frame	PBT UL94 V-0 Plastic
Impeller	PBT UL94 V-0 Plastic
Connection	2x Wire Leads, 24 AWG
Motor	Brushless DC, Auto Cutoff, Auto Restart, Polarity Protected
Bearing System	Dual Ball Bearings
Dielectric Strength	500VAC/min < 1mA
Insulation Resistance	10M ohm between leadwire and frame (500VDC)

Operating Temperature
-10°C ~ +70°C

Storage Temperature
-40°C ~ +80°C

Life Expectancy
70,000 hours (L10 at 40°C)

Weight: 0.090Kgs(0.20 lbs)



Model Number	5415312
Rated Voltage	24 VDC
Voltage Range	21.6~26.4
Rated Current	0.08 A
Rated Speed (RPM)	2100
Airflow (CFM)	40.6
Noise Level (dB)	29.2
Max. Static Pressure	0.08" H ₂ O