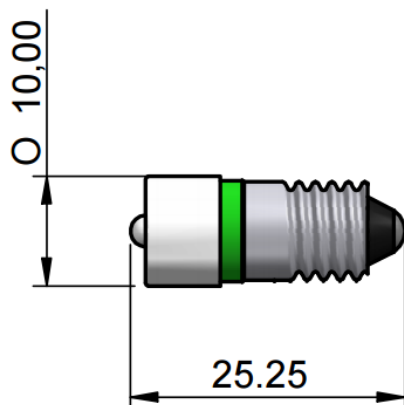


Datasheet

LED Indicator Lamp

RS ITEM NO 210-311



LED/Multiled	<i>LED</i>	Optimum voltage (V)	<i>230vac</i>	Intensity	<i>345mcd</i>
Mounting Size	<i>10x25mm</i>	Rectifier	<i>Half Wave</i>		
Mounting Finish		AC current	<i>3mA</i>		
Protection		DC current			
Mount Holder	<i>E10</i>	Voltage Tolerance(%)	<i>10%</i>		
Chip Qty	<i>1</i>	Optimum temperature (°C)	<i>-30°C...+60°C</i>		
Indicator colour	<i>Green</i>	Storage temperature (°C)	<i>-30°C...+60°C</i>		
Wavelength (nm)	<i>525</i>	Contact Tab x 2	<i>E10 Cap</i>		



Dimension in mm (typical), not to scale.

We reserve the right to make changes without further notice to this product to improve reliability, function or design.