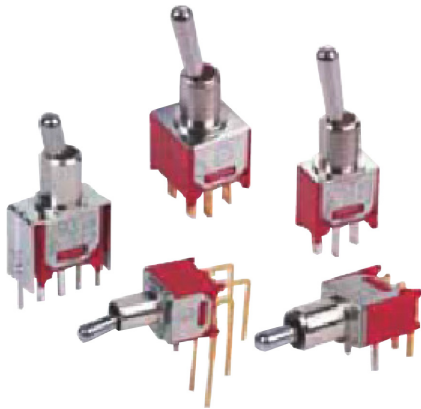


Toggle Switches

Sub-Miniature

multicomp PRO

**RoHS
Compliant**



Specifications

Contact Rating : Dependent upon contact material
 Mechanical Life : 30,000 make and break cycles
 Maximum Contact Resistance : 20mΩ initial at 2-4 V DC 100mA for both silver and gold plated contacts
 Minimum insulation Resistance : 1,000MΩ.
 Dielectric strength : 1,000V rms at sea level
 Operating Temperature : -30°C to +85°C

Materials:

Case : Diallyl phthalate (DAP).
 Actuator : Brass, chrome plated.
 Bushing : Brass, nickel plated.
 Housing : Stainless steel.
 Switch Support : Brass, tin plated.
 Terminal / Contact : Silver or gold plated.

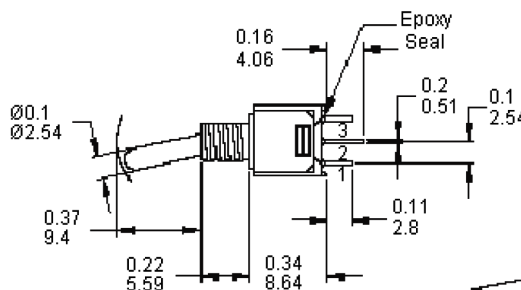
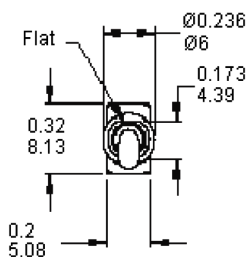
Switch Function

Number of Poles	UL / CSA Model Number	Model Number	Switch Function			Connected Terminals / Schematic					
			Position 1	Position 2	Position 3	Position 1	Position 2	Position 3			
SP	Q2211	2MS1	On	None	ON	2 to 3	N/A	2 to 1			
	Q2212	2MS2			MOM				2 (Comm) 3	Open	1 2 (Comm) 3
	Q2213	2MS3			Off						
DP	Q2221	2MD1	On	None	ON	2 to 3, 5 to 6	N/A	2 to 1, 5 to 4			
	Q2223	2MD3							Off	1 2 (Comm) 3 4 5 6	Open

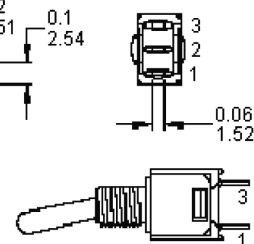
MOM = Momentary

Pole Options

SPDT



2MS6 Models : Omit 2nd terminal



Dimensions : Inches (Millimetres)

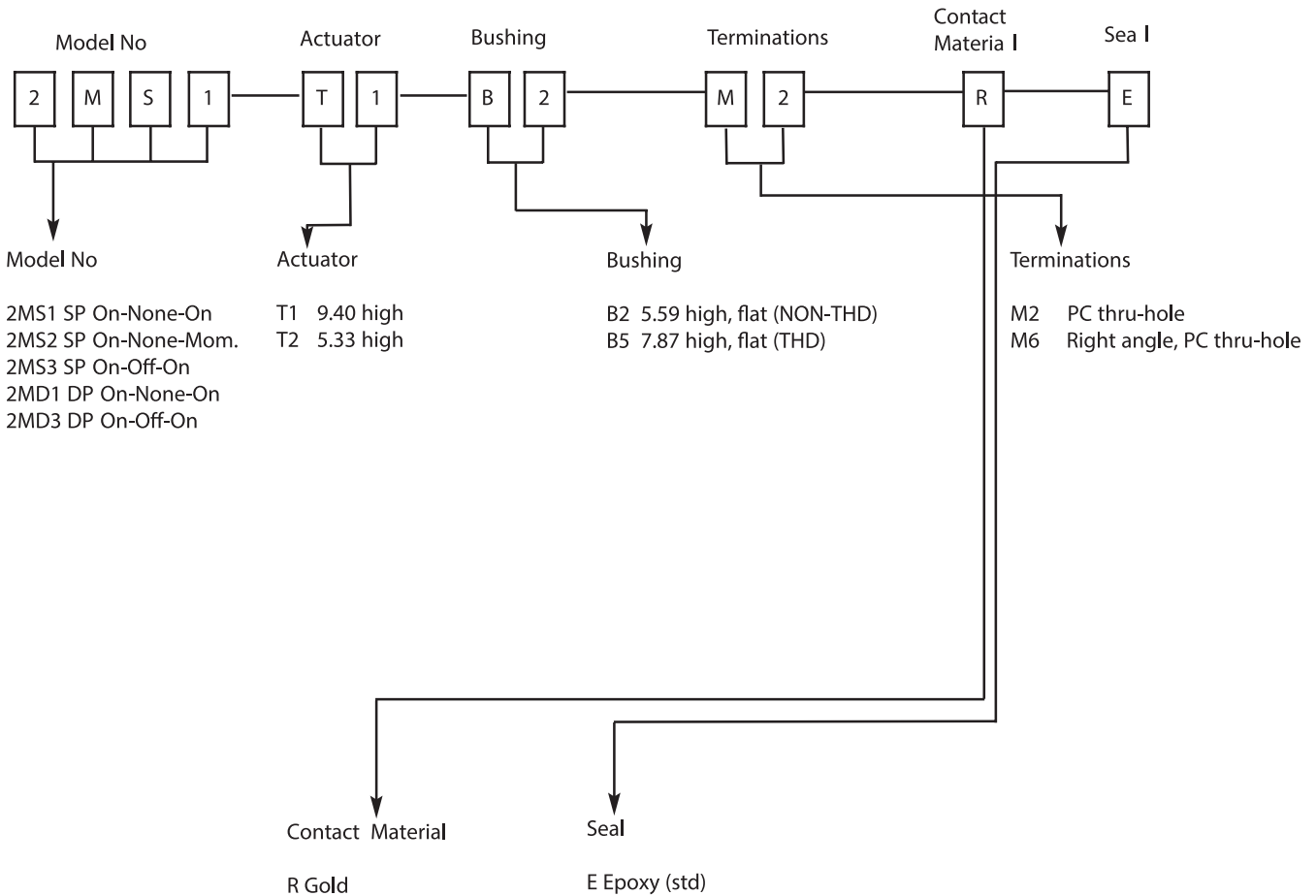
Newark.com/multicomp-pro
 Farnell.com/multicomp-pro
 Element14.com/multicomp-pro

multicomp PRO

Toggle Switches

Sub-Miniature

Part Number Explanation



Important Notice : This data sheet and its contents (the "Information") belong to the members of the AVNET group of companies (the "Group") or are licensed to it. No licence is granted for the use of it other than for information purposes in connection with the products to which it relates. No licence of any intellectual property rights is granted. The Information is subject to change without notice and replaces all data sheets previously supplied. The Information supplied is believed to be accurate but the Group assumes no responsibility for its accuracy or completeness, any error in or omission from it or for any use made of it. Users of this data sheet should check for themselves the Information and the suitability of the products for their purpose and not make any assumptions based on information included or omitted. Liability for loss or damage resulting from any reliance on the Information or use of it (including liability resulting from negligence or where the Group was aware of the possibility of such loss or damage arising) is excluded. This will not operate to limit or restrict the Group's liability for death or personal injury resulting from its negligence. Multicomp Pro is the registered trademark of Premier Farnell Limited 2019.