



ENGLISH

**Datasheet**

**Stock No: 382-273**

## **RS Pro M5 x 0.8 Male Steel Rod End**



### **Product Details**

#### **Rod End Miniature - Male**

Mechanical linkages manufactured from C22/C35 Pb steel, zinc plated and passivated

Hardened ball, ground and polished 100 cr6 ball bearing steel

Inserts are Cu Zn 40 Mn Pb bronze; these bearings require lubrication and are factory filled with Molykate BR2

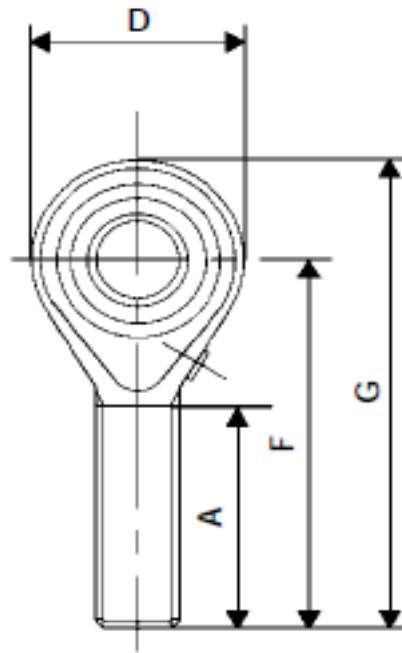
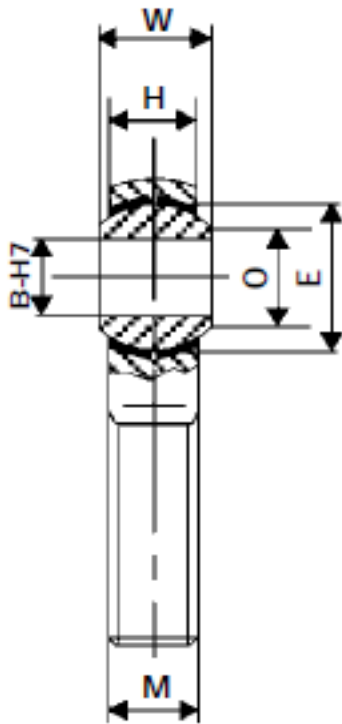
+/- 13° off-centre movement through 360°



ENGLISH

## Specifications:

|                            |               |
|----------------------------|---------------|
| Connection Size            | M5 x 0.8 Male |
| Bore Size                  | 5mm           |
| Static Load Rating         | 3460N         |
| Overall Length             | 41mm          |
| Material                   | Steel         |
| Connection Thread Size     | M5 x 0.8      |
| Connection Thread Standard | Metric        |
| Connection Gender          | Male          |



| Stock No | Size | Static Load (kN) | Thead | x | Pitch | A  | B | C  | F  | G    | H    | O    | W   | Ball dia E | Weight (g) |
|----------|------|------------------|-------|---|-------|----|---|----|----|------|------|------|-----|------------|------------|
| 382245   | 02   | 0.40             | M2    | x | 0.4   | 9  | 2 | 9  | 18 | 22.5 | 3.6  | 3.6  | 4.8 | 6.00       | 2          |
| 382251   | 03   | 1.20             | M3    | x | 0.5   | 15 | 3 | 12 | 27 | 33   | 4.5  | 5.18 | 6   | 7.93       | 5          |
| 382267   | 04   | 2.00             | M4    | x | 0.7   | 18 | 4 | 14 | 30 | 37   | 5.25 | 6.46 | 7   | 9.52       | 9          |
| 382273   | 05   | 3.40             | M5    | x | 0.8   | 20 | 5 | 16 | 33 | 41   | 6    | 7.71 | 8   | 11.11      | 12         |