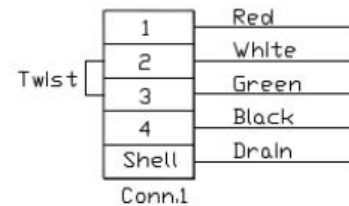
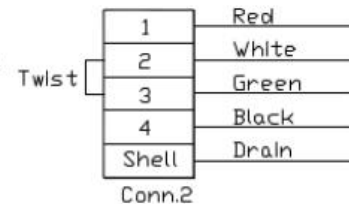
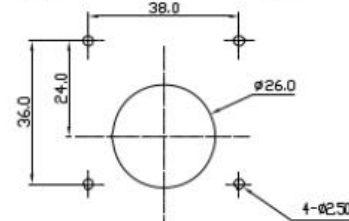
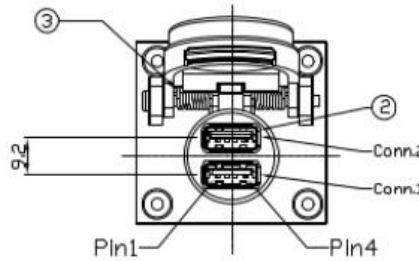
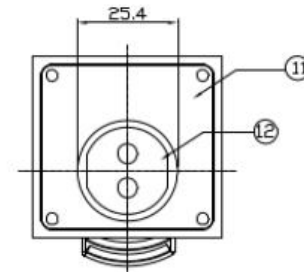
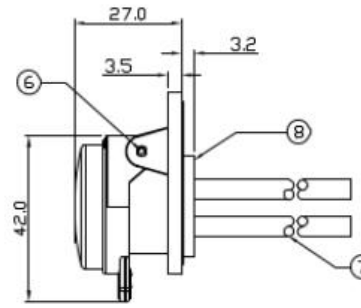
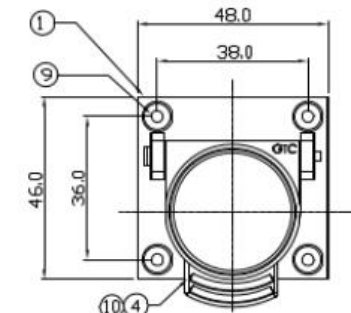
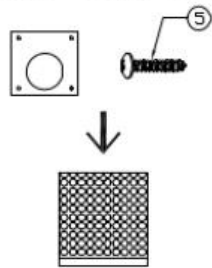




Notes: (Unless Otherwise Specified)

1. Waterproof Rate: IP65.
2. Recommend Panel Thickness: 0.8 to 3.0 mm.
3. RoHS Compliant.
4. Cable length = 2m (+/- 0.1m)

REV	ECN#	DESCRIPTION OF REVISION	DRAW BY DATE	CHECK BY DATE	APPROVE BY DATE
02	CH-140287	Modify Cable	Pater 02/26/14	Ray 02/26/14	Ray 02/26/14



12	Glue	Epoxy Color: Black	
11	Gasket	Silicone Color: Black	1
10	Cap Rubber Pad	Silicone Color: Black	1
9	Screw Gasket	EPDM Color: Black	4
8	PCB	FR-4 Color: Green	1
7	Cable	UL275 IP65AWG#20AWG#N/My#3 Color: Black, ID=5.0mm	2
6	Rivet	Aluminum Finish-	1
5	Screw	Stainless(TP1) Finish-	4
4	Cap	Thermoplastic Color: Black	1
3	Spring	Stainless Finish-	1
2	USB-A Receptacle	Housing: Thermoplastic, Color: Black Contacts: Copper Alloy, Finish: Au Plated Shell: Copper Alloy, Finish: Ni Plated	2
1	Housing	Thermoplastic Color: Black	1
Item	Part Name	Material / Finish	Qty

Recommend  
Panel Cut-Out  
Scale 1:1

Wiring Diagram

TITLE  
USB-A C4 Panel Square Flange Dual-USB JACK With Cable + Cap

RS Stock No  
111-6754

THIRD ANGLE PROJECTION	SIZE	SCALE	DRAW / DATE	CHECK / DATE	APPROVE / DATE	TOLERANCES	UNIT	SHEET
	B	1:1	Pater 01/20/14	Ray 01/20/14	Ray 01/20/14	X.X ± 0.5 X.XX ± 0.2	mm	1/1