

FEATURES

- Operating temperature range is from - 60 °C to + 300 °C
- RoHS and REACH compliant
- Silicon free

RS PRO Single Banjo Body With Stem - Compression

RS Stock No.: 2312639



RS PROfessionally Approved Products bring to you professional quality parts across all product categories. Our product range has been tested by engineers and provides a comparable quality to the leading brands without paying a premium price.

Product Description

The RS PRO single banjo body with stem - compression is made up of brass. The working pressures and working temperatures depend on which type of tube is used, for this reason, the values must be determined in accordance with the tube's features. Hereunder, we specify the values of the maximum pressure advised for the fittings at a temperature of 20° C connected with copper tube, which has a thickness of 1 mm. Here the tube size is 8 and corresponding maximum pressure advised is 133.6 bar.

General Specifications

Type	Threaded, Tube
Body Material	Brass
Application	Pneumatic automation, Automotive process, Food & Beverage, Fluidtechnology, Vacuum

Mechanical Specifications

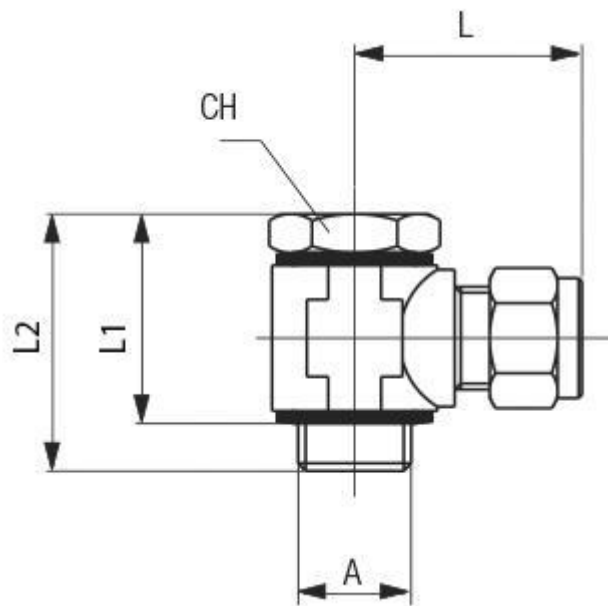
Length	28.5mm
---------------	--------

Inlet Port	
Inlet Port Type	1/4 in Male

Outlet Port	
Tube Outlet Port	Fitting
Threaded Outlet Port	8

Operation Environment Specifications

Maximum Operating Temperature	+80°C
Minimum Operating Temperature	-20°C



Tube	A	L	L2	L1	CH	Pack.
8	1/4	28.50	32	25	17.0	10