

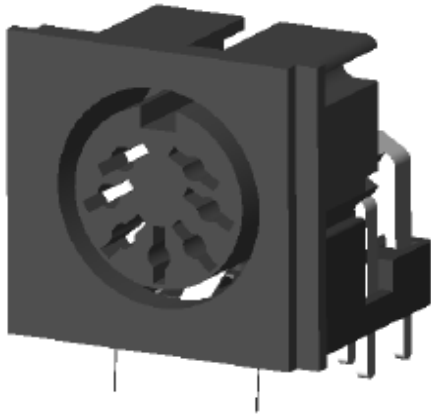


ENGLISH

# Datasheet

## 7P DIN Socket

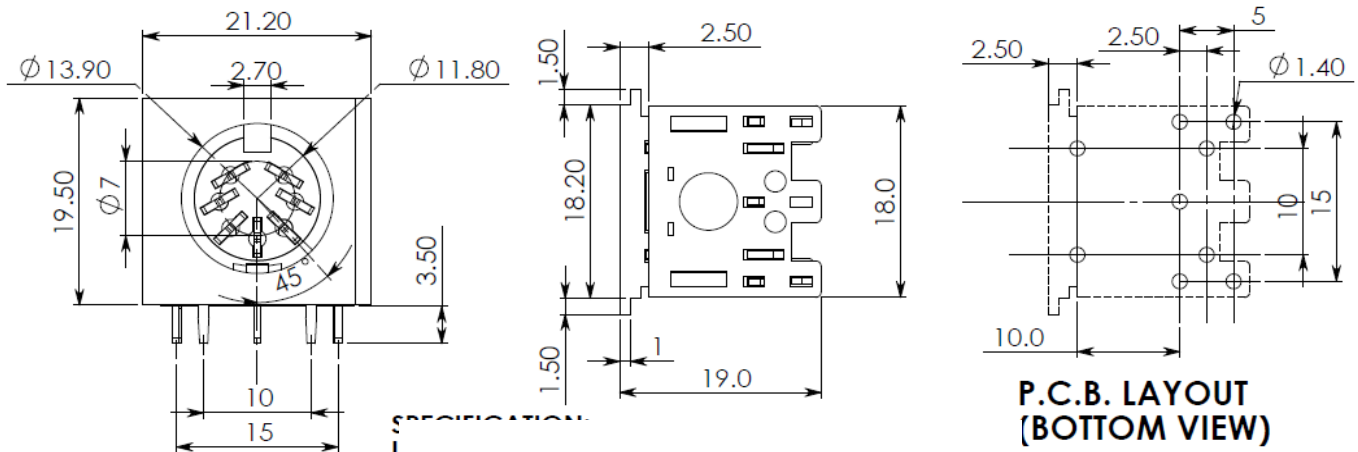
RS Stock number 491-043



### Specifications:

Rating:	2A 100V AC
Contact Resistance:	20mΩ max.
Insulation Resistance:	100MΩ min. at 500V DC
Dielectric Strength:	1,000V AC/1 minute

### Dimensions(mm)





ENGLISH

No.	Description	Material	Treat
1	Shell Cover	PBT	
2	Base	PBT	
3	GND	Copper	Nickel Ptd.
4	PIN EL	Brass	Tin Ptd.
5	PIN DL	Brass	Tin Ptd.
6	PIN CL	Brass	Tin Ptd.
7	PIN ER	Brass	Tin Ptd.
8	PIN DR	Brass	Tin Ptd.
9	PIN CR	Brass	Tin Ptd.
10	PIN B	Brass	Tin Ptd.