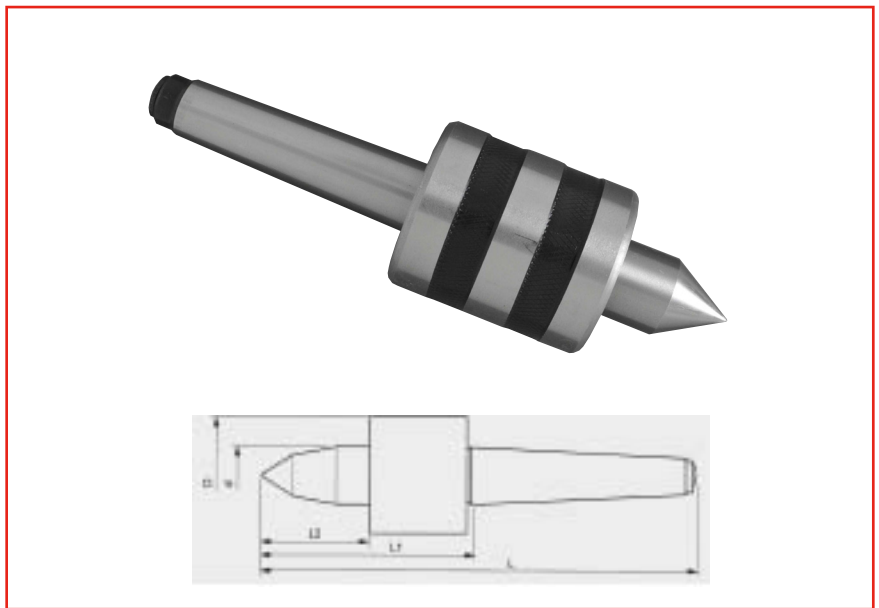


# Datasheet

## RS Pro Standard Revolving Centres

RS Stock No: 463-7224



### Specifications:

Manufactured from high quality tool steel  
 Hardened and tempered  
 Precision ground externally  
 60° Point  
 Fully sealed bearings  
 Maximum run-out 0.005mm

Order Code	MT No.	d	D	L	L1	L2	Max Weigh Load	Speed Max
463-7224	MT 2	18	40	146	78	26	200	5000

Order Code	Manufacturers Code	Description
463-7224	RC-02	Standard Revolving Centre