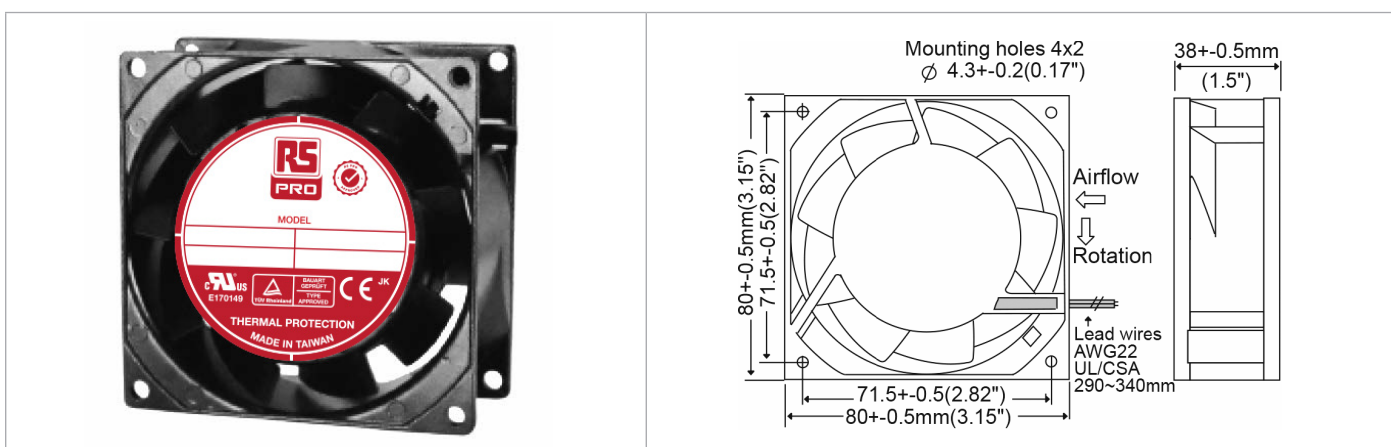




# Datasheet

## RS PRO AC AXIAL FAN 230VAC 80×80×38mm METAL IP55

EN



<b>Frame</b>	Diecast Aluminum	<u>Operating Temperature</u> Ball Bearing -30C ~ +80C (non-condensing) Storage Temp -40C ~ +100C  <u>Life Expectancy</u> Ball Bearing 50,000 hours (L10 at 55C)  <u>Environmental Protection</u> IP55  Weight: ~ 0.43 kg (0.95 lbs.) m0	
<b>Impeller</b>	Metal Alloy		
<b>Connection</b>	2x Lead Wires 22 AWG or Terminal		
<b>Motor</b>	Shaded pole, impedance protected		
<b>Bearing System</b>	Dual ball bearing		
<b>Insulation Resistance</b>	>100M ohm between lead-wire and frame (500VDC)		
<b>Dielectric Strength</b>	1 min at 1500 VAC, 50/60Hz		

Model Number	175-9815	175-9816
Connection	Wire Leads	Terminal
Nominal Voltage	230 VAC	230 VAC
Voltage Range	200-240 VAC	200-240 VAC
Rated Power	15 W	15 W
Rated Speed (RPM)	2750	2750
Airflow - CFM	28	28
Noise Level - (dB)	35	35
Max. Static Pressure	0.22" H <sub>2</sub> O	0.22" H <sub>2</sub> O