



AHEAD OF WHAT'S POSSIBLE™

Search


[MY HISTORY](#) | [PRODUCTS](#) | [APPLICATIONS](#) | [DESIGN CENTER](#) | [COMMUNITY](#) | [EDUCATION](#) | [SUPPORT](#)
[Home](#) > [Design Center](#) > [Evaluation Hardware & Software](#) > [Product Evaluation Boards and Kits](#) > **DC2093A-A**

My Analog

DC2093A-A

LT4275A/LT4321 LTPoE++/PoE+/PoE PD Demo Board

Overview

Documentation

Related Hardware

Buy

Evaluation Kit Manuals

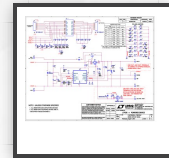
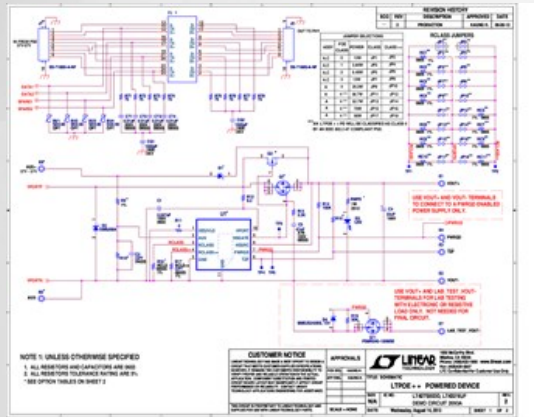
1

View All

Design & Integration Files

1

View All



Overview

Product Details

DC2093A-A Demo Board for:
 LT4275 LTPoE++/PoE+/PoE PD Controller
 LT4321 PoE Ideal Diode Bridge Controller

Applicable Parts

- [LT4275](#)
- [LT4321](#)

Documentation

[View All \(3\)](#) | [Design & Integration Files \(1\)](#) | [Demo Board Schematic \(1\)](#) | [Evaluation Kit Manuals \(1\)](#)

Design & Integration Files

[DC2093A - Design Files](#)

ZIP

949.00K

Demo Board Schematic

[DC2093A - Schematic](#)

PDF
64.00K

Evaluation Kit Manuals

[DC2093A - Demo Manual](#)

PDF
612.00K

Related Hardware (10)

Controller Boards

[DC1814A-D](#)

LTC4274A-4 Demo Board | LTPoE++ (90W) PSE

[DC1814A-A](#)

LTC4274A-1 Demo Board | LTPoE++ (38.7W) PSE

[DC1815A-A](#)

LTC4266A-1 Demo Board | 4-Port 38.7W LTPoE++ PSE (Requires DC590)

[DC1815A-C](#)

LTC4266A-3 Demo Board | 4-Port 70W LTPoE++ PSE (Requires DC590)

[See All 8 Controller Boards](#)

PoE Power Sourcing Equipment (PSE) (2)



Buy

Model	Description	Price	RoHS
DC1814A-A Production	LTC4274A-1 Demo Board LTPoE++ (38.7W) PSE	\$100.00	Yes
DC1814A-B Production	LTC4274A-2 Demo Board LTPoE++ (52.7W) PSE	\$100.00	Yes
DC1814A-C Production	LTC4274A-3 Demo Board LTPoE++ (70W) PSE	\$100.00	Yes
DC1814A-D Production	LTC4274A-4 Demo Board LTPoE++ (90W) PSE	\$100.00	Yes
DC1815A-A Production	LTC4266A-1 Demo Board 4-Port 38.7W LTPoE++ PSE (req. DC590)	\$200.00	Yes

Model	Description	Price	RoHS
DC1815A-B Production	LTC4266A-2 Demo Board 4-Port 52.7W LTPoE++ PSE (req. DC590)	\$200.00	Yes
DC1815A-C Production	LTC4266A-3 Demo Board 4-Port 70W LTPoE++ PSE (req. DC590)	\$200.00	Yes
DC1815A-D Production	LTC4266A-4 Demo Board 4-Port 90W LTPoE++ PSE (req. DC590)	\$200.00	Yes
DC2093A-A Production	LT4275A/LT4321 LTPoE++/PoE+/PoE PD Demo Board	\$95.00	Yes

[Back](#)

[Add to cart](#)

[Select a country](#) ▾

[Check Inventory](#)

Pricing displayed is based on 1-piece. The USA list pricing shown is for budgetary use only, shown in United States dollars (FOB USA per unit), and is subject to change. International prices may vary due to local duties, taxes, fees and exchange rates.

<p>15,000</p> <p>Problem Solvers</p>	<p>4,700+</p> <p>Patents Worldwide</p>	<p>125,000</p> <p>Customers</p>	<p>50+</p> <p>Years</p>
---	---	--	--------------------------------

Ahead of What's Possible

Analog Devices is a global leader in the design and manufacturing of analog, mixed signal, and DSP integrated circuits to help solve the toughest engineering challenges.

[See the Innovations](#)

Analog Devices. Dedicated to solving the toughest engineering challenges.

SOCIAL



QUICK LINKS

- [About ADI](#)
- [Analog Dialogue](#)
- [Contact us](#)
- [News Room](#)
- [Sales & Distribution](#)

- [Alliances](#)
- [Careers](#)
- [Investor Relations](#)
- [Quality & Reliability](#)

LANGUAGES

- [English](#)
- [简体中文](#)
- [日本語](#)
- [Русский](#)

NEWSLETTERS

Interested in the latest news and articles about ADI products, design tools, training and events? Choose from one of our 12 newsletters that match your product area of interest, delivered monthly or quarterly to your inbox.

[Sign Up](#)