

FEATURES

- **USB C to USB C cable**
- **One metre long**
- **Male-to-male connectors**
- **USB 3.1, with a maximum transfer speed of 10 Gbps**
- **Supports HDMI, DisplayPort and Thunderbolt 3 interfaces**
- **Backwards compatible with USB 2.0 and 3.0**

RS PRO Male USB C to Male USB C USB Cable, USB 3.1, 1m, USB 3.1

RS Stock No.: 182-8846



RS Professionally Approved Products bring to you professional quality parts across all product categories. Our product range has been tested by engineers and provides a comparable quality to the leading brands without paying a premium price.

Product Description

Connect two electronic devices with the RS PRO male-to-male USB C to USB C cable. This cable transmits a wide range of signal types and supports popular modern interfaces including HDMI, DisplayPort and Thunderbolt 3. Its SuperSpeed USB 3.1 capability (also known as Gen.2) means it's the fastest way to transfer data. This high-spec cable also carries enough power to charge full-size electronics, such as laptops and tablets. It's suitable for use with a range of newer devices, such as docking stations, multiport adapters and devices.

General Specifications

USB Type	USB 3.1
Connector A	Male USB C
Connector A Type	USB C
Connector A Gender	Male
Connector B	Male USB C
Connector B Type	USB C
Connector B Gender	Male
Connector Style	straight
Outer Sheath Material	PVC
Data Transfer Rate	10 Gbps
Sheath Colour	Black
Applications	Laptop, Phones

Electrical Specifications

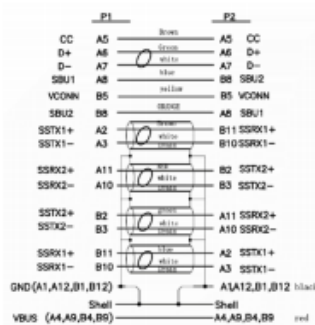
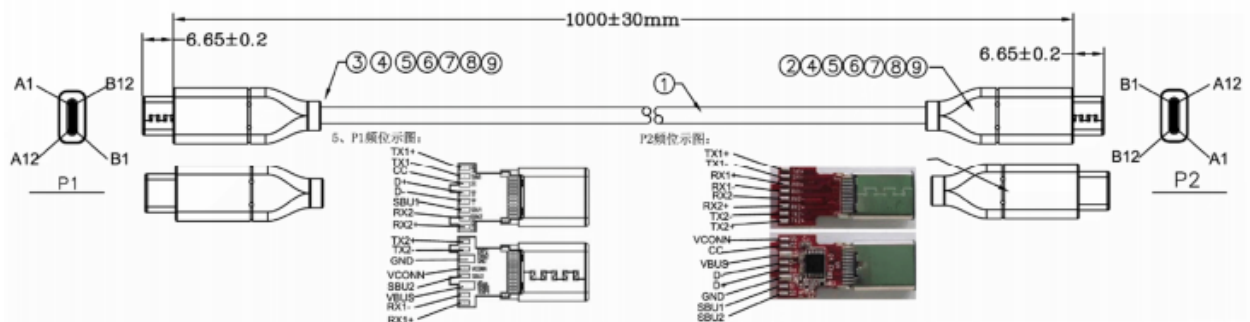
Voltage Rating	20V
Maximum Power	3A

Mechanical Specifications

Length	1m
--------	----

Approvals

Standards Met	RoHS, REACH, CE
---------------	-----------------



⑨	USB TYPE C~SOLDER TYPE~ Tin Plating Nickel up ~ (No riveting claw)
⑧	USB TYPE C~SOLDER TYPE~ Tin Plating Nickel Down~ (No riveting claw)
⑦	USB TYPE-C cable Small clamp (use TYPE-C) texture: NY-66+15MGF, 24+32+34AWG
⑥	H.S.T \neq 2.0 Thin wall
⑤	TRANSPARENT PE ROHS LDPE
④	45P Black PVC ROHS
③	USB 3.1 C Type Connector With ~PCBA(NO IC) ,full PIN
②	USB 3.1 C Type Connector With ~PCBA, with IC (IC:VIA) full PIN
①	USBS: 1" (34AWG (7/0, 08TC)+EABE)+6P+32AWG (7/0, 08TC)+1P+24AWG (7/0, 206TC)+2C+32AWG (7/0, 08TC)+4C+AB (16/10/0, 08 30NCT) (0-4, 5MM BLACK) NO MARKING