



Datasheet

RS PRO Grey PVC Open Slotted Trunking

Stock number: 301-1924 301-1930 301-1946 301-1968 301-1974 301-1980
301-1996 301-2006 301-2034 301-2040 879-3713 879-3722
758-9260

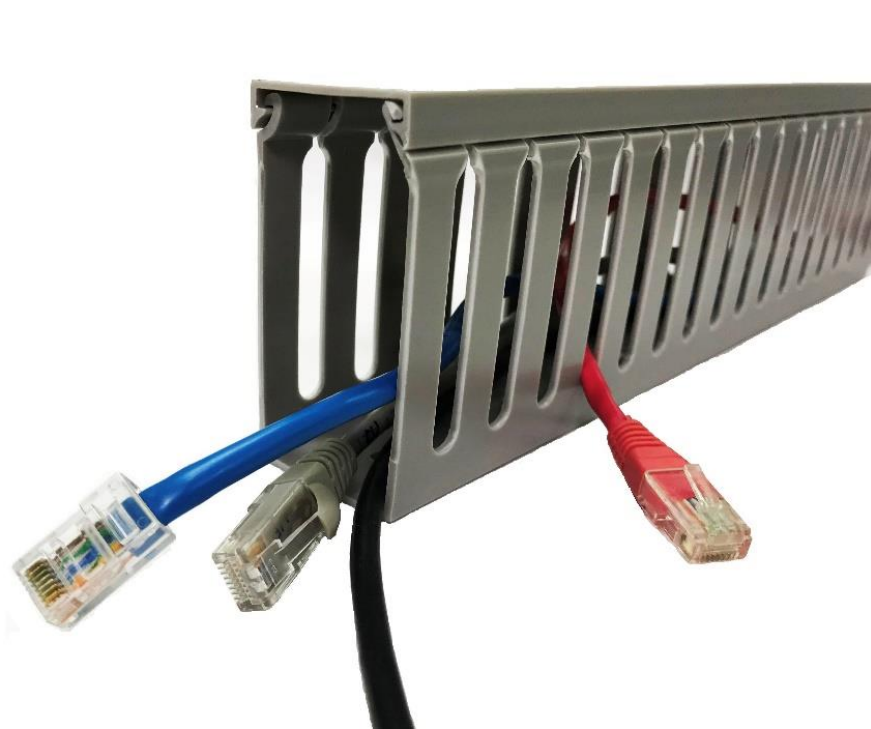
EN

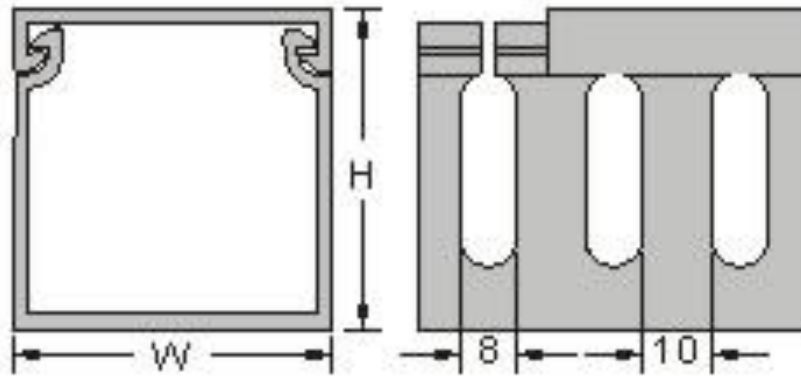


SPECIFICATION

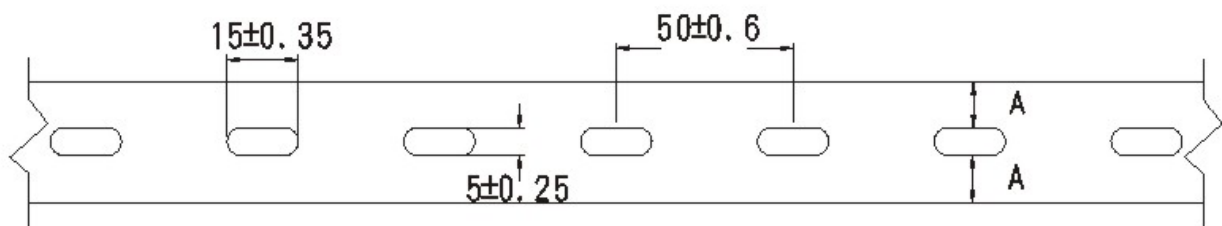
- **Material:** High impact, warp-proof PVC , self-extinguishing .
- **UL approved** 94V-0.
- **Color:** Grey
- **Maximum service temperature:** 85°C

- **Test to UL file E97527 up to 50°C.**
- **Supplied complete with cover.**
- **These devices are for routing of wires within devices in factory installations.**
- **Features parallel holes on both sidewalls to facilitate cutting in wire application.**
- **Easy to insert, adding or removing wires - even with terminations attached.**
- **Save your total cost for during installation, wire tracing and circuit troubleshooting.**





RS Article No	W(mm)	H(mm)	A	Slot	Length
301-1924	25	25	10	8mm	2M
301-1946	33	45	14		
301-1930	25	45	10		
301-1974	50	50	22.5		
301-1968	45	45	20		
301-1980	25	65	10		
301-2006	60	60	27.5		
301-1996	45	65	20		
301-2040	33	100	14		
301-2034	72	64	33.5		
879-3713	25	25	10	8mm	1M
879-3722	60	60	27.5	8mm	2M
758-9260	15	25	5		



Bottom Size