

## Stainless Steel Threaded End Gate Valves 800 PSI

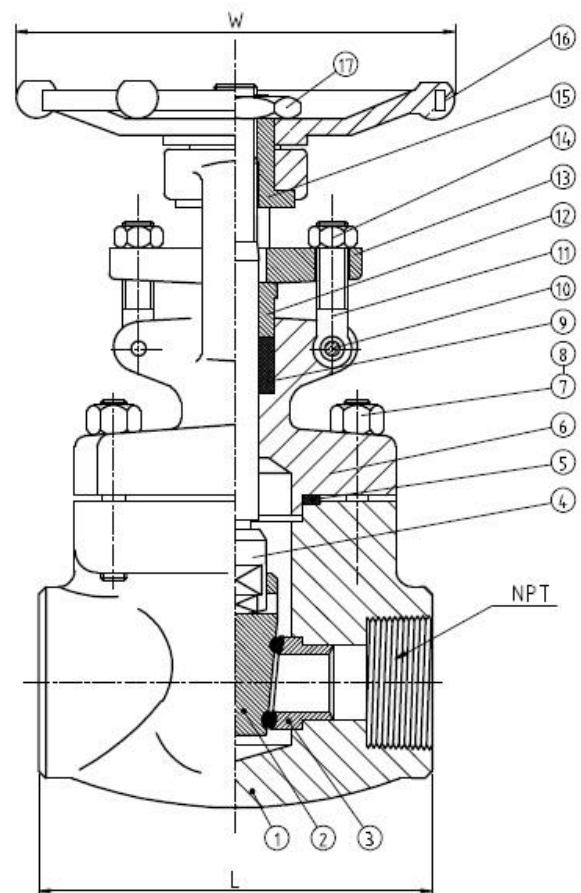
### Features

- Threaded End: NPT
- Size: 1/2" – 2" (DN15 – DN50)
- Valve Body Material: SS316
- Working Pressure: 800 PSI
- Applicable Medium: General oil, gas and water applications
- Temperature Range:  $\leq 200^{\circ}\text{C}$



### Material List

No.	Part Name	Material
1	Body	F316
2	Wedge	316 + STL
3	Seat	316 + STL
4	Stem	316
5	Gasket	316 + Graphite
6	Bonnet	F316
7	Stud Bolt	SS304
8	Nut	SS304
9	Packing	Graphite
10	Pin	304
11	Gland Eyebolt	SS304
12	Gland	316
13	Gland Flange	F304
14	Hex Nut	SS304
15	Stem Nut	410
16	Handwheel	A197
17	Locking Nut	ASTM1035



### Technical Specifications

1. Basic design and manufacture according to API 602
2. Inspection and test for according to API 598
3. Connection screw for the valve according to ASME B1.20.1

Main Technical Parameter			
Nominal Pressure		800 PSI	
Test Pressure	Strength Test	21.5	MPa
	Back Seat Test	15.5	
	Sealing Test	15.5	
	Air Sealing Test	0.6	
Max Working Temperature		$\leq 200^{\circ}\text{C}$	
Applicable Medium: General oil, gas & water			

VL - S - GA - N - 800 - 08  
 I II III IV V VI

**I Type of Item**

VL Low Pressure Valves

**II Material Grade**

S SS316, CF8M CI Cast Iron  
 FS Forged Steel CS Cast Steel  
 B Brass

**III Item**

GA Gate Valve B1 1 PC Ball Valve  
 GL Globe Valve B2 2 PC Ball Valve  
 YS Y-Strainer B3 3 PC Ball Valve  
 SC Swing Check Valve BL 3 Way Ball Valve L Port  
 VC Vertical Check Valve BT 3 Way Ball Valve T Port  
 WC Wafer Check Valve BMF Male x Female Mini Ball Valve  
 DD Dual Disk BU Butterfly Valve

**IV Connection Type**

SW S/W G BSPP  
 BW B/W N NPT  
 R BSPT F Flange End  
 W Wafer L Lug

**V Pressure**

200 200 PSI 2000 2000 PSI  
 300 300 PSI 150 ANSI 150# Flange Standard  
 600 600 PSI 10K JIS 10K Flange Standard  
 800 800 PSI PN16 PN 16 Flange Standard  
 1000 1000 PSI

**For Inch OD & Inch NB Sizes**

**VI Size**

Size	1/8"	1/4"	5/16"	3/8"	1/2"	5/8"	3/4"	1"
Code	02	04	05	06	08	10	12	16
Size	1 1/4"	1 1/2"	2"	2 1/2"	3"	4"	5"	6"
Code	20	24	32	40	48	64	80	96

**VII Coating**

(None) No Additional Coating  
 NI Nickel Plating

## Dimension List

NPS	DN	L	W	Weight (Kg)
1/2"	15	80	100	2.20
3/4"	20	90	100	2.45
1"	25	112	122	4.10
1 1/4"	32	120	155	5.75
1 1/2"	40	120	157	6.70
2"	50	132	180	10.35

## Part Number Reference

Part No	Description
VL-S-GA-N-800-08	1/2"NPT SS316 GATE VALVE 800 PSI STELLITE HARD FACED DISC AND SEAT
VL-S-GA-N-800-12	3/4"NPT SS316 GATE VALVE 800 PSI STELLITE HARD FACED DISC AND SEAT
VL-S-GA-N-800-16	1"NPT SS316 GATE VALVE 800 PSI STELLITE HARD FACED DISC AND SEAT
VL-S-GA-N-800-20	1 1/4"NPT SS316 GATE VALVE 800 PSI STELLITE HARD FACED DISC AND SEAT
VL-S-GA-N-800-24	1 1/2"NPT SS316 GATE VALVE 800 PSI STELLITE HARD FACED DISC AND SEAT
VL-S-GA-N-800-32	2"NPT SS316 GATE VALVE 800 PSI STELLITE HARD FACED DISC AND SEAT