



ENGLISH

Datasheet

DC Axial Fan, 60 x 60 x 15mm, 27.2m/h, 1.3W, 12 V dc (OD6015 Series)

RS Stock number [541-4937](#)



Frame and Impeller

PBT, UL94V-0 Thermoplastic

Available Options

Tachometer

Locked Rotor Alarm

Finger Guard: G60-4

Plastic Guard: G60P

Wire Mesh Guard: WMG60M

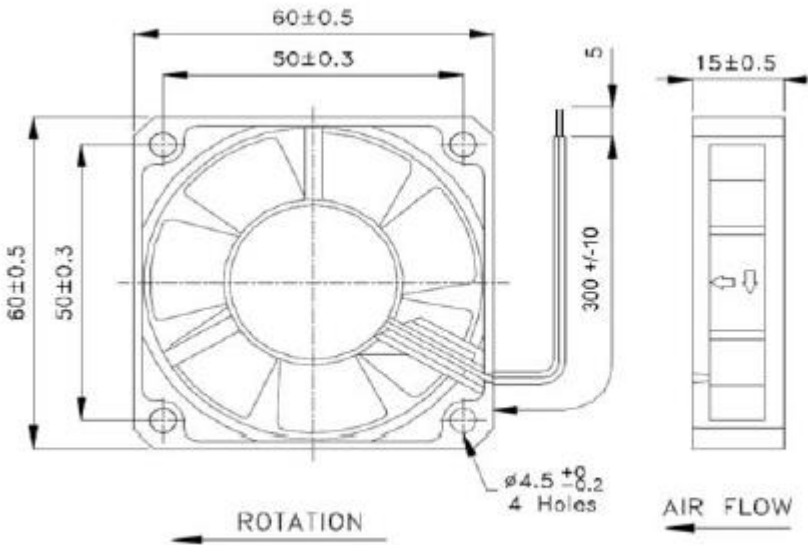
Filter Kit: GRM60-30, GRM60-45

| RS Part Number | Orion Part Number | Speed (RPM) | Airflow (CFM) | Noise (db) | Volts (DC) | Voltage Range | Current (Amps) | Lead Type |
|----------------|-------------------|-------------|---------------|------------|------------|---------------|----------------|-----------|
| 5414959 | | 4500 | 16 | 33 | 12 | 6~13.8 | 0.13 | Wire |
| 5414937 | | 3900 | 14 | 28.8 | 12 | 6~13.8 | 0.11 | Wire |
| 5414921 | | 3500 | 12 | 27 | 12 | 6~13.8 | 0.09 | Wire |
| 5415205 | | 4500 | 16 | 33.3 | 24 | 12~28 | 0.09 | Wire |
| 5415198 | | 3900 | 14 | 30.7 | 24 | 12~28 | 0.07 | Wire |
| 5415182 | | 3500 | 12 | 27.2 | 24 | 12~28 | 0.05 | Wire |

Data Tolerance +/- 10%

RS, Professionally Approved Products, gives you professional quality parts across all products categories. Our range has been testified by engineers as giving comparable quality to that of the leading brands without paying a premium price.

Drawing(mm):



*Drawing for Dimensional Reference Only

MOTOR

Brushless DC, polarity protected, locked rotor protected (current limited), auto restart

INSULATION RESISTANCE

Min. 10 M Ohms at 500VDC

LIFE EXPECTANCY (L10)

Ball Bearing 60,000 Hours

Operating Temperature

-10C ~ +70C

Safety Approvals

UL/CUL, TUV, CE