

# Ethernet Cable

## Cat5e

**multicomp** PRO

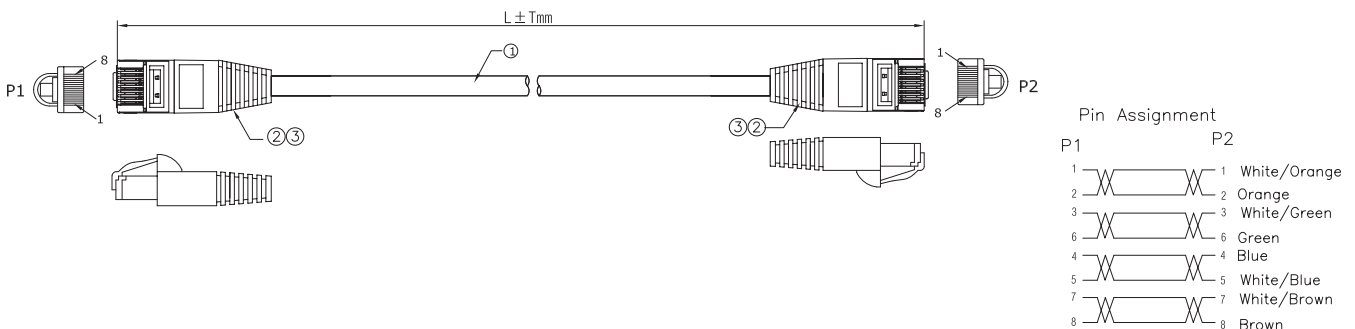
**RoHS  
Compliant**



### Specifications

Connector to Connector : RJ45 Plug to RJ45 Plug  
 LAN Category : Cat5e  
 Jacket Colour : Beige  
 Cable Type : UTP Cable  
 Insulation Resistance : DC 300V/10ms, 10MΩ (Min.)

### Diagram



No.	Description	Qty.	Unit
1	Cat5e UTP 26AWG (7/0.145BC)×4P(ID:0.75mm) OD:4.8mm PT:421C PVC-Mark: UTP CAT, 5E 26AWG×4P	"L"	m
2	UTP Ca5e 8p8C Crystal head round hole transparent gold-plated terminal	2	Pcs
3	60P PVC PT:421C	16	g

### Part Number Table

Description	L ± T(mm)	Part Number
Ethernet Cable, Cat5e, UTP Cable, RJ45 Plug to RJ45 Plug, Beige	200±20	MP008335
	300±20	MP008336
	500±20	MP008337
	750±20	MP008338
	1250±30	MP008339
	1500±30	MP008340

Dimensions : Millimetres

**Important Notice** : This data sheet and its contents (the "Information") belong to the members of the AVNET group of companies (the "Group") or are licensed to it. No licence is granted for the use of it other than for information purposes in connection with the products to which it relates. No licence of any intellectual property rights is granted. The Information is subject to change without notice and replaces all data sheets previously supplied. The Information supplied is believed to be accurate but the Group assumes no responsibility for its accuracy or completeness, any error in or omission from it or for any use made of it. Users of this data sheet should check for themselves the Information and the suitability of the products for their purpose and not make any assumptions based on information included or omitted. Liability for loss or damage resulting from any reliance on the Information or use of it (including liability resulting from negligence or where the Group was aware of the possibility of such loss or damage arising) is excluded. This will not operate to limit or restrict the Group's liability for death or personal injury resulting from its negligence. Multicomp Pro is the registered trademark of Premier Farnell Limited 2019.

Newark.com/multicomp-pro  
 Farnell.com/multicomp-pro  
 Element14.com/multicomp-pro

**multicomp** PRO