

Thermally Protected Varistors **multicomp**PRO

RoHS
Compliant



Description

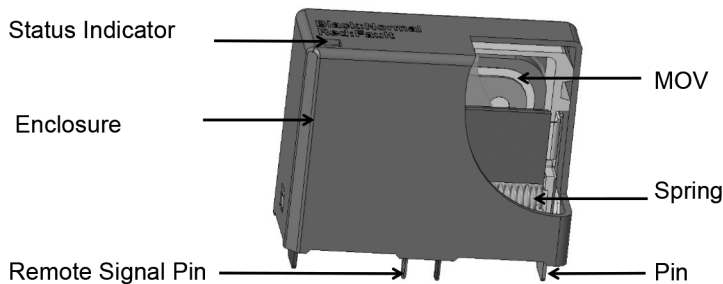
MPTFMOV is a combination of varistors (MOV) and thermal protection component. Since varistor has the characteristics of aging or degrading; MPTFMOV can separate the varistor from the main circuitry by opening the thermal protection component when the varistor (MOV) degrades or fails. It is often used in which requires high reliability and weather withstanding, such as photovoltaic inverters, communication equipment, and power supplies in data centers, etc.

Applications

- Telecom Equipment
- String Inverter in Photovoltaic System
- AC / DC Power Supply
- Uninterruptable Power Supply (UPS)
- Surge Protective Device (SPD)
- Electric Meter
- Power Distribution Unit (PDU)

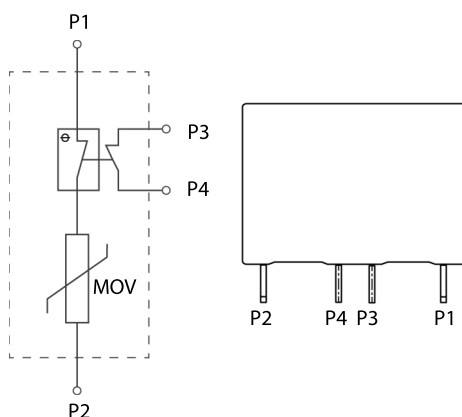
Features

- Thermal Protection, High Reliability
- Small Size
- Remote Signal Contact for Failure Indication (Optional)
- High Energy Capacity
- Epoxy Sealing Material, Flame-retardant to V0 (UL 94)
- Comply with UL 1449 / IEC 61643-11



TFMOV(Remote Monitoring)
Mechanical trip

Schematics

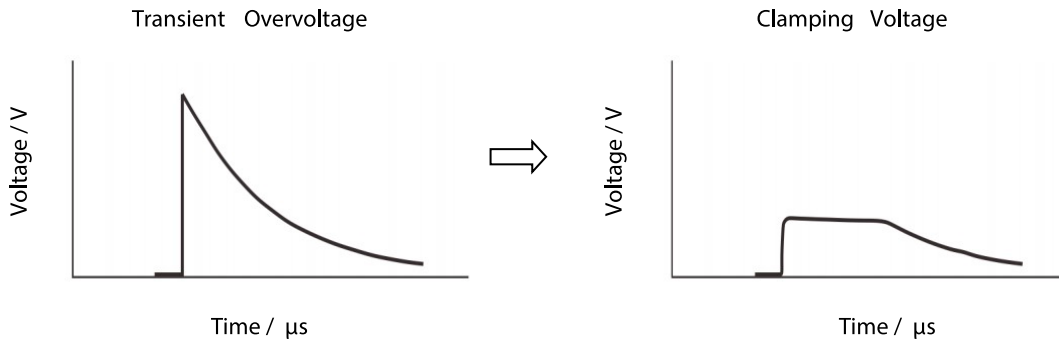


Newark.com/multicomp-pro
Farnell.com/multicomp-pro
sg.element14.com/b/multicomp-pro

multicompPRO

Thermally Protected Varistors **multicomp**PRO

Operation Principle



Thermal Protection

MPTFMOV is a combination of varistors (MOV) and thermal protection component. Since varistor has the characteristics of aging or degrading; MPTFMOV can separate the varistor from the main circuitry by opening the thermal protection component when the varistor (MOV) degrades or fails. It is often used in which requires high reliability and weather withstanding, such as photovoltaic inverters, communication equipment, and power supplies in data centers, etc.

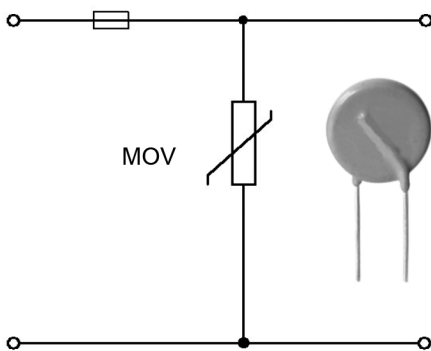


Figure a Typical surge protection circuit

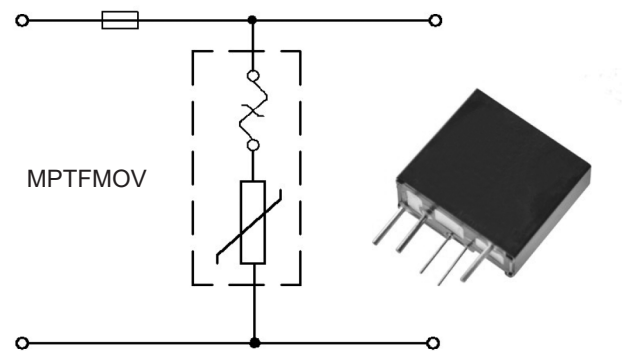


Figure b: High reliability surge protection circuit

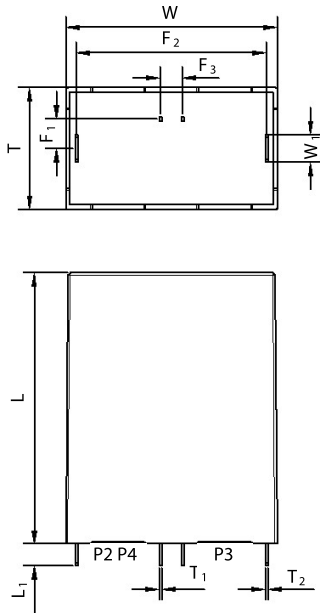
Thermally Protected Varistors **multicomp** PRO

Glossary

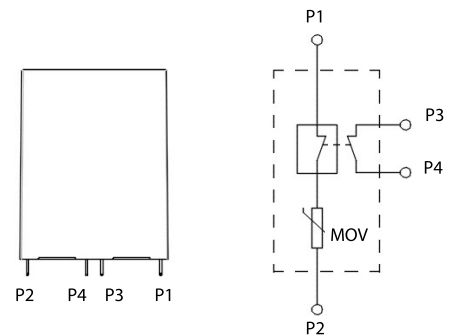
Item	Description
V_N	Nominal Varistor Voltage Voltage, at specified d.c. current used as a reference point in the component characteristic.
$8/20 \mu s$	8/20 Current Impulse Current impulse with a nominal virtual front time of $8 \mu s$ and a nominal time to half-value of $20 \mu s$. — (IEC 61643-11)
$1.2/50 \mu s$	1.2/50 Voltage Impulse Voltage impulse with a nominal virtual front time of $1.2 \mu s$ and a nominal time to half-value of $50 \mu s$. — (IEC 61643-11)
U_c	Maximum Continuous Operating Voltage Maximum r.m.s. voltage, which may be continuously applied to the SPD's mode of protection. — (IEC 61643-11)
I_n	Nominal Discharge Current Crest value of the current through the SPD having a current waveshape of 8/20. — (IEC 61643-11)
I_{imp}	Impulse Discharge Current for Class I Test Crest value of a discharge current through the SPD with specified charge transfer Q and specified energy W/R in the specified time. — (IEC 61643-11)
I_{max}	Maximum Discharge Current Crest value of a current through the SPD having an 8/20 waveshape and magnitude according to the manufacturers specification. I_{max} is equal to or greater than I_n . — (IEC 61643-11)
V_c	Clamping Voltage Peak voltage developed across the varistor terminations under standard atmospheric conditions, when passing an 8/20 μs class current pulse.
C_v	Capacitance Capacitance across the MOV measured at a specified frequency and voltage.
Modes of protection	Mode of protection of an SPD An intended current path, between terminals that contains protective components, e.g. line-to-line, line-to-earth, line-to-neutral, neutral-to-earth. — (IEC 61643-11)
U_p	Voltage Protection Level Maximum voltage to be expected at the SPD terminals due to an impulse stress with defined voltage steepness and an impulse stress with a discharge current with given amplitude and waveshape. — (IEC 61643-11)
IP	Degree of protection of enclosure Classification preceded by the symbol IP indicating the extent of protection provided by an enclosure against access to hazardous parts, against ingress of solid foreign objects and possibly harmful ingress of water — (IEC 61643-11)

Thermally Protected Varistors **multicomp**PRO

Dimensions



Schematics



Dimensions : Millimetres

L	L1	W	W1	W2	T
50.0±1.0	4.0±0.5	39.0±1.0	5.0±0.5	0.8±0.3	22.5±1.0
T1	T2	F1	F2	F3	
0.5±0.2	0.5±0.2	5.5±0.5	35.0±0.5	4.0±0.5	

Specifications

Features	Specifications
According to Standard	UL 1449, EN 61643-31, EN 61643-11
Alarm	Remote + Indicator
Degree of protection of enclosure	IP20
Installation	PCB
Altitude	≤ 5000 m
Operational Temperature Range	(-40°C to 85°C)
Humidity Range	5% to 95%

Thermally Protected Varistors **multicomp** PRO

Specification

Model	Nominal System Voltage	Nominal Varistor Voltage @1mA	Max. Continuous Operating Voltage		Nominal Discharge Current (8/20 μ s)	Impulse Discharge Current (10/350 μ s)	Impulse Discharge Current (10/350 μ s)	Impulse Discharge Current (10/350 μ s)
	U_n	VDC	VDC		I_n	I_{imp}	U_{max}	U_p
	VAC(V)	(V)	U_c (VAC)	U_{cpv} (VDC)	(kA)	(kA)	(kA)	(V)
MPTFMOV25M385	277	620	385	505	20	7.5	40	1800
MPTFMOV25M510	347	820	510	670		6.5		2400
MPTFMOV25M550	480	910	550	745				2700
MPTFMOV25M680		1100	680	900				6

Note:

- The Value of Voltage Protection Level (U_p) is determined according to IEC 61643-11:2011 clause 6.4.
Preferred values of voltage protection level (kV): 0.08, 0.09, 0.10, 0.12, 0.15, 0.22, 0.33, 0.4, 0.5, 0.6, 0.7, 0.8, 0.9, 1.0, 1.2, 1.5, 1.8, 2.0, 2.5, 3.0, 4.0, 5.0, 6.0, 8.0, 10.

Part Number Table

Description	Part Number
Varistor, 25kA, 385V AC	MPTFMOV25M385
Varistor, 25kA, 510V AC	MPTFMOV25M510
Varistor, 25kA, 550V AC	MPTFMOV25M550
Varistor, 25kA, 680V AC	MPTFMOV25M680

Important Notice : This data sheet and its contents (the "Information") belong to the members of the AVNET group of companies (the "Group") or are licensed to it. No licence is granted for the use of it other than for information purposes in connection with the products to which it relates. No licence of any intellectual property rights is granted. The Information is subject to change without notice and replaces all data sheets previously supplied. The Information supplied is believed to be accurate but the Group assumes no responsibility for its accuracy or completeness, any error in or omission from it or for any use made of it. Users of this data sheet should check for themselves the Information and the suitability of the products for their purpose and not make any assumptions based on information included or omitted. Liability for loss or damage resulting from any reliance on the Information or use of it (including liability resulting from negligence or where the Group was aware of the possibility of such loss or damage arising) is excluded. This will not operate to limit or restrict the Group's liability for death or personal injury resulting from its negligence. Multicomp Pro is the registered trademark of Premier Farnell Limited 2019.

Newark.com/multicomp-pro
Farnell.com/multicomp-pro
sg.element14.com/b/multicomp-pro

multicomp PRO