

Anti-Vandal Switches

Push Button

multicomp PRO

**RoHS
Compliant**



Specifications

Material

Case : Dially Phthalate, Rated UL 94V-0
 Cap : Polyamide66
 Bushing : Polyamide66
 Terminal : Gold Over Silver Plated

Electrical

Rating : 400mA 32V AC
 100mA 50V DC
 125mA 125V DC
 500mA 48V DC
 200mA 50V DC

Contact Resistance : 50mΩ max.
 Insulation Resistance : 1G-Ω min. @ 500V DC
 Dielectric withstanding voltage : 1000V AC, for 1 Minute
 Electrical Life : 500,000 cycles

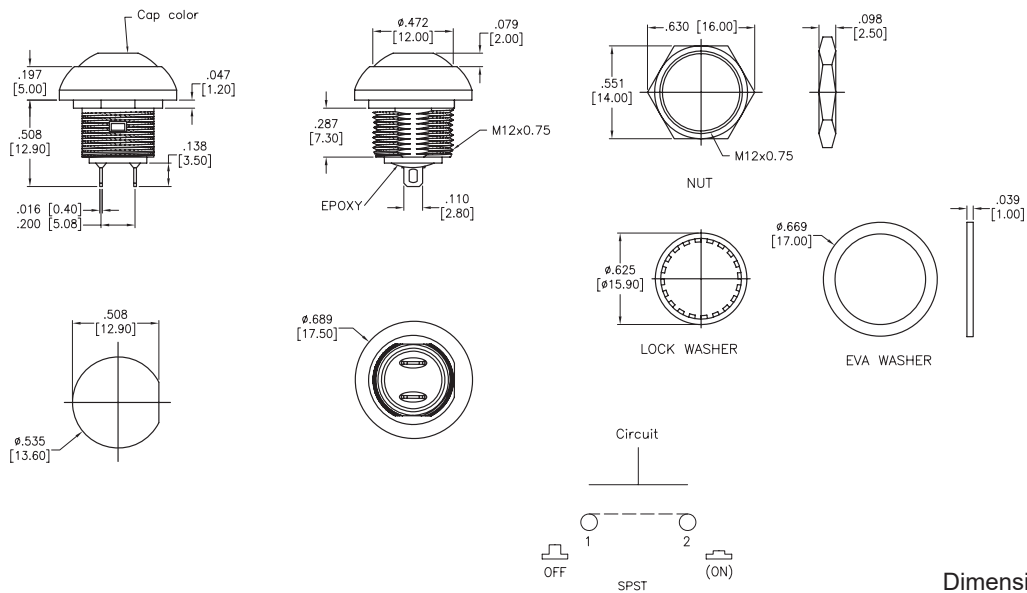
Temperature Rating

Operating temperature : -30°C to +85°C

Environmental

Front Panel Protection : IP67

Diagram



Dimensions : Millimetres

Newark.com/multicomp-pro
 Farnell.com/multicomp-pro
 sg.element14.com/b/multicomp-pro

multicomp PRO

Anti-Vandal Switches

Push Button

multicomp PRO

Part Number Table

Description	Button Colour	Part Number
Anti Vandal Switch, SPST, Off-MOM, Solder Type	Green	MP-PB11-1CSG-10
	Red	MP-PB11-1CSR-10
	Black	MP-PB11-1CSK-10

Important Notice : This data sheet and its contents (the "Information") belong to the members of the AVNET group of companies (the "Group") or are licensed to it. No licence is granted for the use of it other than for information purposes in connection with the products to which it relates. No licence of any intellectual property rights is granted. The Information is subject to change without notice and replaces all data sheets previously supplied. The Information supplied is believed to be accurate but the Group assumes no responsibility for its accuracy or completeness, any error in or omission from it or for any use made of it. Users of this data sheet should check for themselves the Information and the suitability of the products for their purpose and not make any assumptions based on information included or omitted. Liability for loss or damage resulting from any reliance on the Information or use of it (including liability resulting from negligence or where the Group was aware of the possibility of such loss or damage arising) is excluded. This will not operate to limit or restrict the Group's liability for death or personal injury resulting from its negligence. Multicomp Pro is the registered trademark of Premier Farnell Limited 2019.

Newark.com/multicomp-pro
Farnell.com/multicomp-pro
sg.element14.com/b/multicomp-pro

multicomp PRO