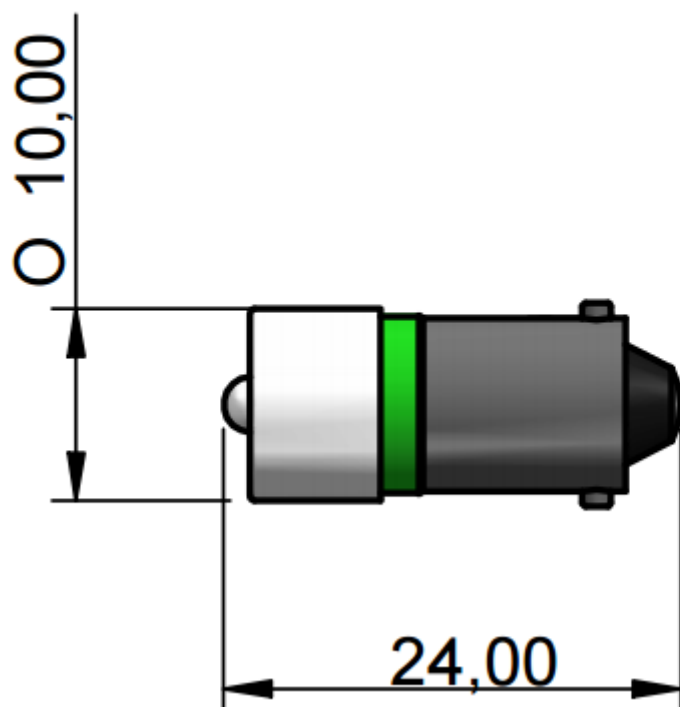


Datasheet

LED Indicator Lamp

RS ITEM NO 209-440



| | | | | | |
|------------------|----------------|--------------------------|----------------------|-----------|----------------|
| LED/Multiled | <i>LED</i> | Optimum voltage (V) | <i>12Vac/Dc</i> | Intensity | <i>1610mcd</i> |
| Mounting Size | <i>10x25mm</i> | Rectifier | <i>Half Wave</i> | | |
| Mounting Finish | | AC current | <i>9mA</i> | | |
| Protection | - | DC current | <i>17mA (max)</i> | | |
| Mount Holder | <i>Ba9</i> | Voltage Tolerance (%) | <i>10%</i> | | |
| Chip Qty | <i>1</i> | Optimum temperature (°C) | <i>-30°C...+60°C</i> | | |
| Indicator colour | <i>Green</i> | Storage temperature (°C) | <i>-30°C...+60°C</i> | | |
| Wavelength (nm) | <i>525</i> | Contact Tab | <i>Ba9 Cap</i> | | |



Dimension in mm (typical, not to scale).
We reserve the right to make changes without further notice to this product to improve reliability, function or design.