

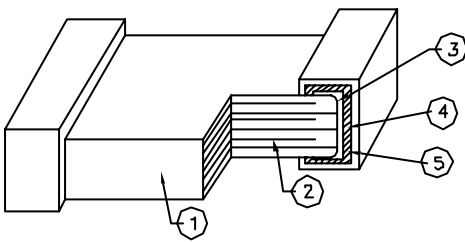
# High Capacitance Multilayer Ceramic Capacitors

**multicomp** PRO

**RoHS  
Compliant**



## Construction



No.	Name	X7R/X5R/Y5V
1	Ceramic Material	BaTiO3 based
2	Inner Electrode	Ni
3	Termination	Inner layer
4		Middle layer
5		Outer layer
		Sn (Matt)

## Specification Table

Part Number	Sell Unit of Measure	Reel Quantity	Capacitance	Capacitance Tolerance	Dielectric Characteristic	Package / Case	Voltage Rating
MC1206B155K100CT	TC	-	1.5µF	±10%	X7R	1206	10V DC
MC1206B155K100CT	TR	3000	1.5µF	±10%	X7R	1206	10V DC
MC1206F106Z100CT	TC	-	10µF	+80, -20%	Y5V	1206	10V DC
MC1206F106Z100CT	TR	3000	10µF	+80, -20%	Y5V	1206	10V DC
MC1206F226Z100CT	TC	-	22µF	+80, -20%	Y5V	1206	10V DC
MC1206F226Z100CT	TR	3000	22µF	+80, -20%	Y5V	1206	10V DC
MC1206B105K160CT	TC	-	1µF	±10%	X7R	1206	16V DC
MC1206B105K160CT	TR	3000	1µF	±10%	X7R	1206	16V DC
MC1206B105M160CT	TC	-	1µF	±20%	X7R	1206	16V DC
MC1206F105Z160CT	TC	-	1µF	+80, -20%	Y5V	1206	16V DC
MC1206F105Z160CT	TR	3000	1µF	+80, -20%	Y5V	1206	16V DC
MC1206B155K160CT	TC	-	1.5µF	±10%	X7R	1206	16V DC
MC1206B155K160CT	TR	3000	1.5µF	±10%	X7R	1206	16V DC
MC1206F155Z160CT	TC	-	1.5µF	+80, -20%	Y5V	1206	16V DC
MC1206F155Z160CT	TR	3000	1.5µF	+80, -20%	Y5V	1206	16V DC
MC1206F106Z160CT	TC	-	10µF	+80, -20%	Y5V	1206	16V DC
MC1206F106Z160CT	TR	3000	10µF	+80, -20%	Y5V	1206	16V DC
MC1206B225K160CT	TC	-	2.2µF	±10%	X7R	1206	16V DC
MC1206B225K160CT	TR	3000	2.2µF	±10%	X7R	1206	16V DC
MC1206B225M160CT	TC	-	2.2µF	±20%	X7R	1206	16V DC
MC1206F225Z160CT	TC	-	2.2µF	+80, -20%	Y5V	1206	16V DC

Newark.com/multicomp-pro  
Farnell.com/multicomp-pro  
Element14.com/multicomp-pro

**multicomp** PRO

# High Capacitance Multilayer Ceramic Capacitors

**multicomp** PRO

Part Number	Sell Unit of Measure	Reel Quantity	Capacitance	Capacitance Tolerance	Dielectric Characteristic	Package / Case	Voltage Rating
MC1206F225Z160CT	TR	3000	2.2µF	+80, -20%	Y5V	1206	16V DC
MC1206F335Z160CT	TC	-	3.3µF	+80, -20%	Y5V	1206	16V DC
MC1206F335Z160CT	TR	3000	3.3µF	+80, -20%	Y5V	1206	16V DC
MC1206F475Z160CT	TC	-	4.7µF	+80, -20%	Y5V	1206	16V DC
MC1206F475Z160CT	TR	3000	4.7µF	+80, -20%	Y5V	1206	16V DC
MC1206B105K250CT	TC	-	1µF	±10%	X7R	1206	25V DC
MC1206B105K250CT	TR	3000	1µF	±10%	X7R	1206	25V DC
MC1206B105M250CT	TC	-	1µF	±20%	X7R	1206	25V DC
MC1206F105Z250CT	TC	-	1µF	+80, -20%	Y5V	1206	25V DC
MC1206F105Z250CT	TR	3000	1µF	+80, -20%	Y5V	1206	25V DC
MC1206F155Z250CT	TC	-	1.5µF	+80, -20%	Y5V	1206	25V DC
MC1206F155Z250CT	TR	3000	1.5µF	+80, -20%	Y5V	1206	25V DC
MC1206F106Z250CT	TC	-	10µF	+80, -20%	Y5V	1206	25V DC
MC1206F106Z250CT	TR	3000	10µF	+80, -20%	Y5V	1206	25V DC
MC1206F225Z250CT	TC	-	2.2µF	+80, -20%	Y5V	1206	25V DC
MC1206F225Z250CT	TR	3000	2.2µF	+80, -20%	Y5V	1206	25V DC
MC1206F475Z250CT	TC	-	4.7µF	+80, -20%	Y5V	1206	25V DC
MC1206F475Z250CT	TR	3000	4.7µF	+80, -20%	Y5V	1206	25V DC
MC1206B105K500CT	TC	-	1µF	±10%	X7R	1206	50V DC
MC1206B105K500CT	TR	3000	1µF	±10%	X7R	1206	50V DC
MC1206F105Z500CT	TC	-	1µF	+80, -20%	Y5V	1206	50V DC
MC1206F105Z500CT	TR	3000	1µF	+80, -20%	Y5V	1206	50V DC
MC1206X106K6R3CT	TC	-	10µF	±10%	XSR	1206	6.3V DC
MC1206X106K6R3CT	TR	3000	10µF	±10%	XSR	1206	6.3V DC
MC1206X226M6R3CT	TC	-	22µF	±20%	XSR	1206	6.3V DC
MC1206X226M6R3CT	TR	3000	22µF	±20%	XSR	1206	6.3V DC
MC1206X475K6R3CT	TC	-	4.7µF	±10%	XSR	1206	6.3V DC
MC1206X475K6R3CT	TR	3000	4.7µF	±10%	XSR	1206	6.3V DC
MC1206X475M6R3CT	TC	-	4.7µF	±20%	XSR	1206	6.3V DC
MC1206X106K100CT	TC	-	10µF	±10%	XSR	1206	10V DC
MC1206X106M100CT	TC	-	10µF	±20%	XSR	1206	10V DC
MC1206X106M100CT	TR	3000	10µF	±20%	XSR	1206	10V DC
MC1206X225K100CT	TC	-	2.2µF	±10%	XSR	1206	10V DC
MC1206X225K100CT	TR	3000	2.2µF	±10%	XSR	1206	10V DC
MC1206X225M100CT	TC	-	2.2µF	±20%	XSR	1206	10V DC
MC1206X226M100CT	TC	-	22µF	±20%	XSR	1206	10V DC
MC1206X226M100CT	TR	3000	22µF	±20%	XSR	1206	10V DC
MC1206X335K100CT	TC	-	3.3µF	±10%	XSR	1206	10V DC

Newark.com/multicomp-pro  
 Farnell.com/multicomp-pro  
 Element14.com/multicomp-pro

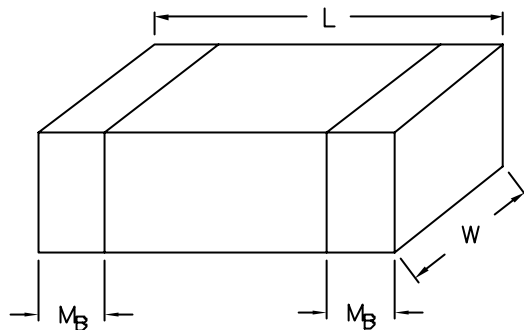
**multicomp** PRO

# High Capacitance Multilayer Ceramic Capacitors

**multicomp** PRO

Part Number	Sell Unit of Measure	Reel Quantity	Capacitance	Capacitance Tolerance	Dielectric Characteristic	Package / Case	Voltage Rating
MC1 206X335K100CT	TR	3000	3.3 $\mu$ F	$\pm$ 10%	XSR	1206	10V DC
MC1 206X475K100CT	TC	-	4.7 $\mu$ F	$\pm$ 10%	XSR	1206	10V DC
MC1206X475K100CT	TR	3000	4.7 $\mu$ F	$\pm$ 10%	XSR	1206	10V DC
MC1206X475M100CT	TC	-	4.7 $\mu$ F	$\pm$ 20%	XSR	1206	10V DC
MC1206X475M100CT	TR	3000	4.7 $\mu$ F	$\pm$ 20%	XSR	1206	10V DC
MC1206X106K160CT	TC	-	10 $\mu$ F	$\pm$ 10%	XSR	1206	16V DC
MC1206X106K160CT	TR	3000	10 $\mu$ F	$\pm$ 10%	XSR	1206	16V DC
MC1206X106M160CT	TC	-	10 $\mu$ F	$\pm$ 20%	XSR	1206	16V DC
MC1206X106M160CT	TR	3000	10 $\mu$ F	$\pm$ 20%	XSR	1206	16V DC
MC1206X475K160CT	TC	-	4.7 $\mu$ F	$\pm$ 10%	XSR	1206	16V DC
MC1206X475K160CT	TR	3000	4.7 $\mu$ F	$\pm$ 10%	XSR	1206	16V DC
MC1206X475M160CT	TC	-	4.7 $\mu$ F	$\pm$ 20%	XSR	1206	16V DC
MC1206X475M160CT	TR	3000	4.7 $\mu$ F	$\pm$ 20%	XSR	1206	16V DC
MC1206X106K250CT	TC	-	10 $\mu$ F	$\pm$ 10%	XSR	1206	25V DC
MC1206X106K250CT	TR	3000	10 $\mu$ F	$\pm$ 10%	XSR	1206	25V DC
MC1206X106M250CT	TC	-	10 $\mu$ F	$\pm$ 20%	XSR	1206	25V DC
MC1206X106M250CT	TR	3000	10 $\mu$ F	$\pm$ 20%	XSR	1206	25V DC
MC1 206X225K250CT	TC	-	2.2 $\mu$ F	$\pm$ 10%	XSR	1206	25V DC
MC1 206X225K250CT	TR	3000	2.2 $\mu$ F	$\pm$ 10%	XSR	1206	25V DC
MC1 206X225M250CT	TC	-	2.2 $\mu$ F	$\pm$ 20%	XSR	1206	25V DC
MC1206X475K250CT	TC	-	4.7 $\mu$ F	$\pm$ 10%	XSR	1206	25V DC
MC1206X475K250CT	TR	3000	4.7 $\mu$ F	$\pm$ 10%	XSR	1206	25V DC
MC1 206X475M250CT	TC	-	4.7 $\mu$ F	$\pm$ 20%	XSR	1206	25V DC
MC1 206X475M250CT	TR	3000	4.7 $\mu$ F	$\pm$ 20%	XSR	1206	25V DC

## Capacitor Dimension



L (mm)	W (mm)	MB (mm)
3.2 $\pm$ 0.15	1.6 $\pm$ 0.15	0.6 $\pm$ 0.2

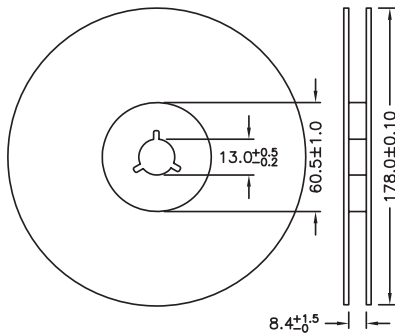
Newark.com/multicomp-pro  
 Farnell.com/multicomp-pro  
 Element14.com/multicomp-pro

**multicomp** PRO

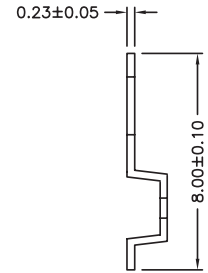
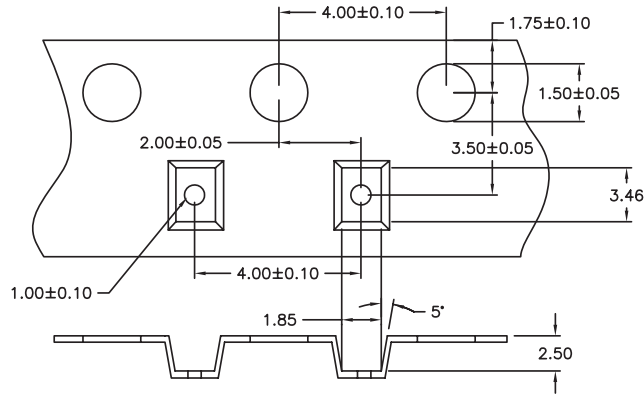
# High Capacitance Multilayer Ceramic Capacitors



## Tape and Reel Dimension



### Plastic Tape



Dimensions : Millimetres

**Important Notice :** This data sheet and its contents (the "Information") belong to the members of the AVNET group of companies (the "Group") or are licensed to it. No licence is granted for the use of it other than for information purposes in connection with the products to which it relates. No licence of any intellectual property rights is granted. The Information is subject to change without notice and replaces all data sheets previously supplied. The Information supplied is believed to be accurate but the Group assumes no responsibility for its accuracy or completeness, any error in or omission from it or for any use made of it. Users of this data sheet should check for themselves the Information and the suitability of the products for their purpose and not make any assumptions based on information included or omitted. Liability for loss or damage resulting from any reliance on the Information or use of it (including liability resulting from negligence or where the Group was aware of the possibility of such loss or damage arising) is excluded. This will not operate to limit or restrict the Group's liability for death or personal injury resulting from its negligence. Multicomp Pro is the registered trademark of Premier Farnell Limited 2019.

Newark.com/multicomp-pro  
 Farnell.com/multicomp-pro  
 Element14.com/multicomp-pro

