



Datasheet

ENGLISH

# Marine Panel

## Switch & Breaker with Mounting Panel



**Package Contain:**

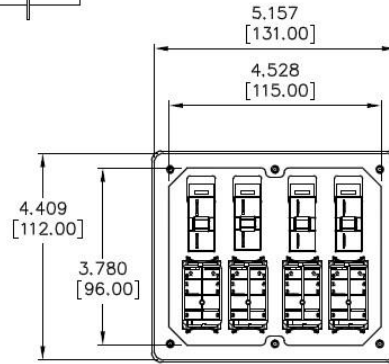
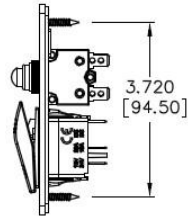
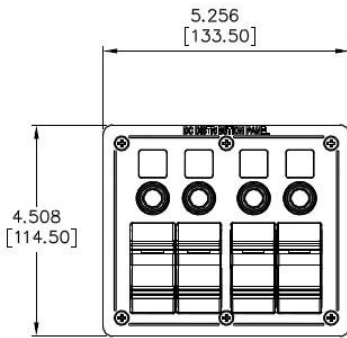
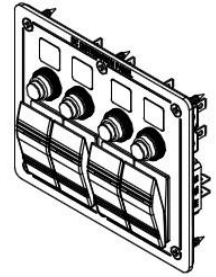
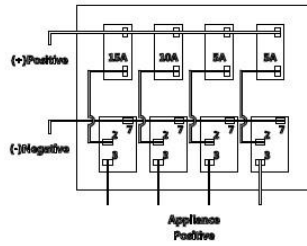
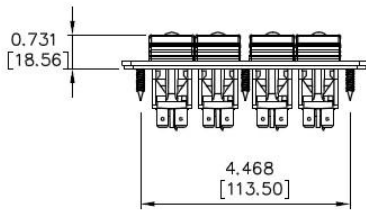
- 4 x Rocker Switch
- 2 x 5A Breaker
- 1 x 10A Breaker
- 1 x 15A Breaker
- 1 x Rubber Pad
- 6 x Stainless Steel Screw

**Specification:**

|                                   |                                   |  |
|-----------------------------------|-----------------------------------|--|
| <b>SWITCH TYPE:</b>               |                                   | 3001748314   |
| <b>POLES/THROWS:</b>              |                                   | SPST   |
| <b>SWITCH FUNCTIONS:</b>          |                                   | ON-OFF   |
| <b>ELECTRICAL CHARACTERISTICS</b> | <b>VOLTAGE:</b>                   | 12VDC  |
|                                   | <b>TOTAL LOAD CURRENT:</b>        | 35A  |
|                                   | <b>ELECTRICAL LIFE:</b>           | 10,000 make-and-break cycles at full load  |
|                                   | <b>CONTACT RESISTANCE:</b>        | 20m-ohms max. initial @ 2-4VDC, 100mA  |
|                                   | <b>INSULATION RESISTANCE:</b>     | Apply 500VDC for 1min±5sec. After which measurement to be made b/w terminals shall result 100M-ohms min.   |
|                                   | <b>DIELECTRICAL STRENGTH:</b>     | 1,500VAC (50Hz-60Hz) RMS @ sea level shall result no damage to parts arcing or flashover   |
| <b>RELIABILITY PERFORMANCE</b>    | <b>OPERATING TEMPERATURE:</b>     | -30Celsius degree to +85Celsius degree   |
|                                   | <b>MECHANICAL LIFE:</b>           | Without load, 10,000cycles min.  |
|                                   | <b>SOLDERING HEAT RESISTANCE:</b> | Max soldering temperature @ 260Celsius degree, immersion time 5+/-1sec, frequency of soldering process @ 2 times max.                                |
|                                   | <b>COLD TEST:</b>                 | Stored at temperature -30(+/-3)Celsius degree for 48 hours, shall result no changes to switch's electrical performance                               |
|                                   | <b>HOT TEST:</b>                  | Stored at temperature +85(+/-3)Celsius degree for 48 hours, shall result no changes to switch's electrical performance                               |
|                                   | <b>HUMIDITY TEST:</b>             | Stored at temperature 40(+/-3)Celsius degree with relative humidity 90%~95% for 48 hours, shall result no changes to switch's electrical performance |

|  |                         |   |
|--|-------------------------|---|
|  | <b>SALT SPRAY TEST:</b> | Stored at temperature @ 35(+/-3)Celsius degree, and salt solution concentration of 5% with full air temperature @ 47(+/-3) Celsius degree and air pressure 1.0kg for 48 hours. The switch shall result no corrosion as well as no apparent changes to its functional performance. Per ASTM-B117 & JIS-Z371 STD. |
|--|-------------------------|---|

|  |   |   |
|--|---|---|
| <b>SOLDERING &amp; CLEANING RECOMMENDATION</b> | <b>HAND SOLDERING:</b>  | Max. temperature @ 350 Celsius degree (662F)with continuous soldering time @ 3sec. max.   |
|  | <b>CLEANING PROCESS:</b>  | Noted, the switch is "not totally sealed" so it is important not to immerse/spray or clean unsealed areas of the switch during flux removal. Improper cleaning could cause switch deficiencies such as intermittence or open contact failures |
| <b>PACKAGE</b>                                 | <b>INTERNAL PACKAGING:</b>  | Tray  |
|  | <b>RoHS IDENTIFICATIONS:</b>  | Package is attached with a label marking "RoHS"   |
| <b>PRODUCT HANDLING &amp; STORING</b>          | <p>The switch is suitable for power rated applications, rating recommendation is per aforementioned above (Contact rating section)</p> <p>Problem relates to terminal oxidization can be prevented by storing product in an environment that is dry and cool with the relative humidity less than 90%. Noted, prior to mounting products onto circuit board as well as for unused units, it is recommended to keep them in the bag and with the bag sealed.</p> |   |



- Rocker Switch x 4 (SPST / ON-OFF)
- 5A Breakers x 2
- 10A Breakers x 1
- 15A Breakers x 1
- Rubber Pad x 1
- Stainless Steel Screw x 6
- Symbol x 40 option
- Size of Panel: 114.5x133.5mm
- Size of Screw Hole: 94.5x113.5mm
- Size of Hole: 85x102mm