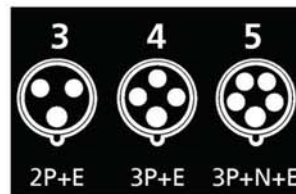


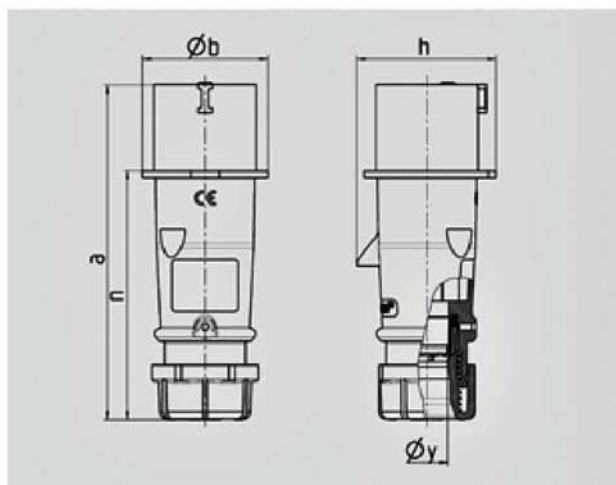
Part no. 259



- screw terminals
- single part body
- cable gland and sealing
- strain relief and protection against kinking



Protection type IP 44  
 Ampere 32A  
 Poles 3p  
 Voltage 110V  
 Hertz 50-60 Hz  
 Earth position 4h  
 Contact standard  
 Connection technology Screw terminals  
 Shutter



Drawing	Amp.	16			32		
		Poles			Poles		
2 MB 217		3	4	5	3	4	5
Dim. in mm	a	142	147	147	186	186	180
	b	53	59	67	70	70	77
	h	59	69,4	76	81	81	89,5
	n	105,2	110,5	110,5	141	141	135
	y	14,5	16	16	22	22	22
Terminal for cond. cross		1	1	1	2,5	2,5	2,5
section (mm <sup>2</sup> ) min.-max.		-2,5	-2,5	-2,5	-6	-6	-6

