

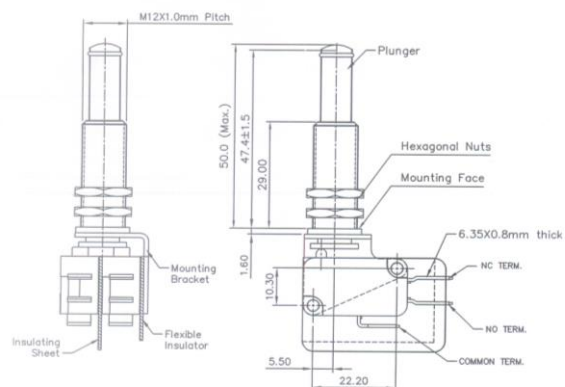
FEATURES

- VERSATILE SWITCH SUITABLE FOR HEAVY DUTY APPLICATIONS.
- COMPATIBLE WITH ALL INDUSTRY STANDARD V3 SWITCHES.
- LONG MECHANICAL AND ELECTRICAL LIFE.
- CONFORM TO IEC 1508-1 STANDARD.

-  /  /  APPROVED.

RS PRO Miniature Micro Switch

RS STOCK NUMBER - 2496824



RS Professionally Approved Products bring to you professional quality parts across all product categories. Our product range has been tested by engineers and provides a comparable quality to the leading brands without paying a premium price.

Product Description ATTRIBUTE 1

- *V3 switches are ideal for many heavy-duty applications including automotive vending machines, telecommunication equipment, security products and instrumentation, conveyors, machine tools..*
- *Positive snap action mechanism.*
- *Spring plunger actuator and a screwed sleeve which provides the means for single hole mounting and adjustment.*
- *Quick connect terminals 6.35mm(#250).*
- *Long mechanical and electrical life.*
- *Fine silver contacts.*

General Specifications

| | |
|------------------------------|--|
| Contact Configuration | DPDT. |
| Contact Arrangement | 2No + 2NC, snap action. |
| Contacts | Pure silver, bi-metal, silver plated. |
| Terminals | Copper alloy, silver plated. |
| Plunger | Nylon. |
| Case | 30% Glass filled flame retardant thermoplastic UL94 V0. |
| Saliant Feature | Spring plunger actuator and a screwed sleeve which provides the means for single hole mounting and adjustment. 6.35X0.8mm quick-connect terminals. |

Electrical Specifications

| Electrical Rating | | |
|------------------------------|--------------|----------------------------------|
| | Load | Rating |
| | AC-15 | 16 Amp at 250V. |
| | | 5 Amp at 440V. |
| | DC-13 | 0.6 Amp at 110V (Resistive). |
| | | 0.3 Amp at 220V (Resistive). |
| | | 0.1 Amp at 110V (Inductive). |
| | | 0.05Amp at 220V (Inductive). |
| Contact Resistance | | 15 milliohms max. (initial). |
| Insulation Resistance | | 100 Megaohms (min.). at 500V DC. |

| | |
|------------------------|--|
| Voltage Proof | 1500V AC between each shorted terminal with body and 1000V AC between open contacts. |
| Electrical life | 1,00,000 operations at 5A, 250V AC. |
| Mechanical life | 10,00,000 operations. |

Mechanical Specifications

| | |
|-----------------------------------|---|
| Operating Force (OF) | 800gms. (max). |
| Release Force(RF) | 160 gms.(min.). |
| Pretravel (PT) | 1.2 mm. (max.). |
| Movement Differential (MD) | 0.4 mm. (max.). |
| OverTravel (OT) | 12.1 mm. |
| Free Position (FP) | 50.0 mm. (max.). |
| Operating Position | 47.4±1.5 mm. |
| Mounting | Single-hole mounting require a single clearance hole of 12.5mm diameter and providedtwo locknuts. |
| Unit Weight | 48.4gms. Approx. |

Operation Environment Specifications

| | |
|------------------------------------|-------------------|
| Operating Temperature Range | -55°C to + +85°C. |
|------------------------------------|-------------------|

Protection Category

| | |
|------------------|-------|
| IP Rating | IP40. |
|------------------|-------|

Approvals

Compliance/Certifications

