

MP006799 - Straight SMA Plug to N Plug Adapter

**RoHS
Compliant**

Electrical

- Frequency Range : DC to 11GHz
- Nominal Impedance : 50Ω
- Voltage Rating : 500 Volts Max.
- Power Rating : 1W
- VSWR : 1.22 Max. @ 6.1 GHz
1.3 Max. @ 11 GHz

Materials

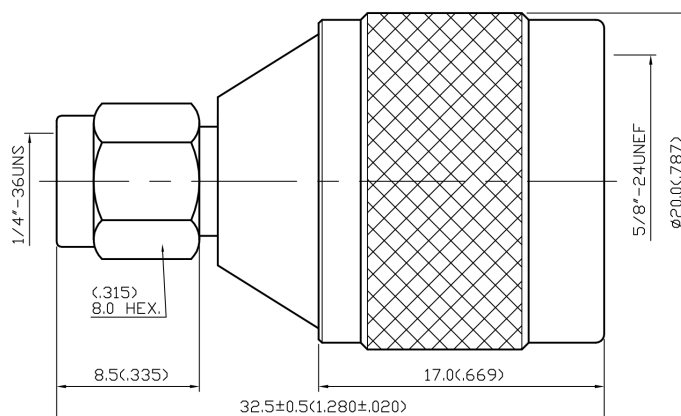
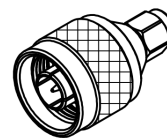
- Bodies : Brass Per JIS-C3604
- Centre Contact : Brass Per JIS-C3604
- Insulation : PTFE Per ASTM D1457 and ASTM D1710

Mechanical

- Interface in Accordance with : MIL-STD-348A
- SMA Recommended Coupling Torque : 3 to 5lbs

Environmental

- Operating Temperature Range : -65°C to +165°C



Finishes and Others			
No	Description	Material	Finish
1	Shell	Brass	White Bronze 80μ" Min.
2	Gasket	Silicon	Red
3	Washer	Stainless Steel	None
4	Body	Brass	White Bronze 80μ" Min.
5	Insulation	PTFE	None
6	Centre Contact	Brass	Gold 20μ" Min. Over Electronics Nickel 50μ" Min.
7	Washer	Brass	None
8	Body	Brass	White Bronze 80μ" Min.
9	Gasket	Silicon	Red
10	Shell	Brass	White Bronze 80μ" Min.

MP006800 - Straight SMA Plug to N Jack Adapter

Electrical

- Frequency Range : DC to 11GHz
- Nominal Impedance : 50Ω
- Voltage Rating : 500 Volts Max.
- VSWR : 1.22 Max. @ 6.1 GHz
1.3 Max. @ 11 GHz

Materials

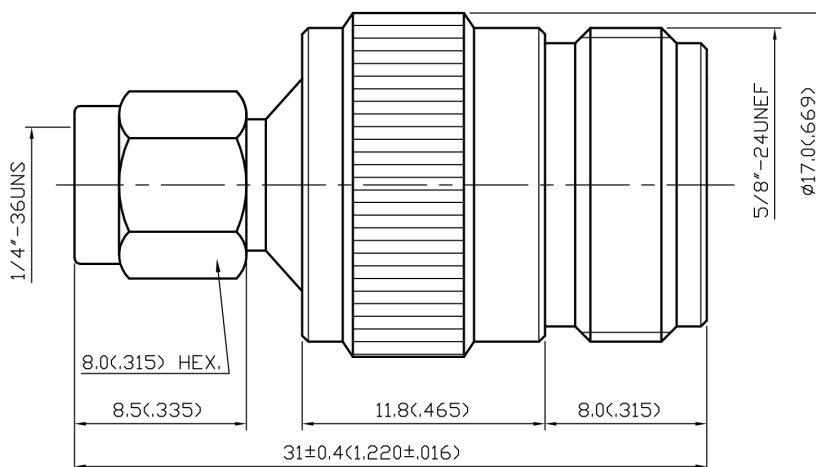
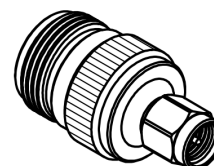
- Bodies : Brass Per JIS-C3604
- Centre Contact : Brass Per JIS-C3604
- Insulation : PTFE Per ASTM D1457 and ASTM D1710

Mechanical

- Interface in Accordance with : MIL-STD-348A
- Recommended Coupling Torque : 3 to 5 lbs

Environmental

- Operating Temperature Range : -65°C to +165°C



Finishes and Others			
No	Description	Material	Finish
1	Shell	Brass	White Bronze 80μ" Min.
2	Gasket	Silicon	Red
3	Washer	Stainless Steel	None
4	Insulation	PTFE	None
5	Body	Brass	White Bronze 80μ" Min.
6	Body	Brass	White Bronze 80μ" Min.
7	Centre Contact	Brass	Gold 20μ" Min. Over Electronics Nickel 50μ" Min.

MP006801 - Straight SMA Jack to N Plug Adapter

Electrical

- Frequency Range : DC to 11GHz
- Nominal Impedance : 50Ω
- Voltage Rating : 500 Volts Max.
- VSWR : 1.22 Max. @ 6.1 GHz
1.3 Max. @ 11 GHz

Materials

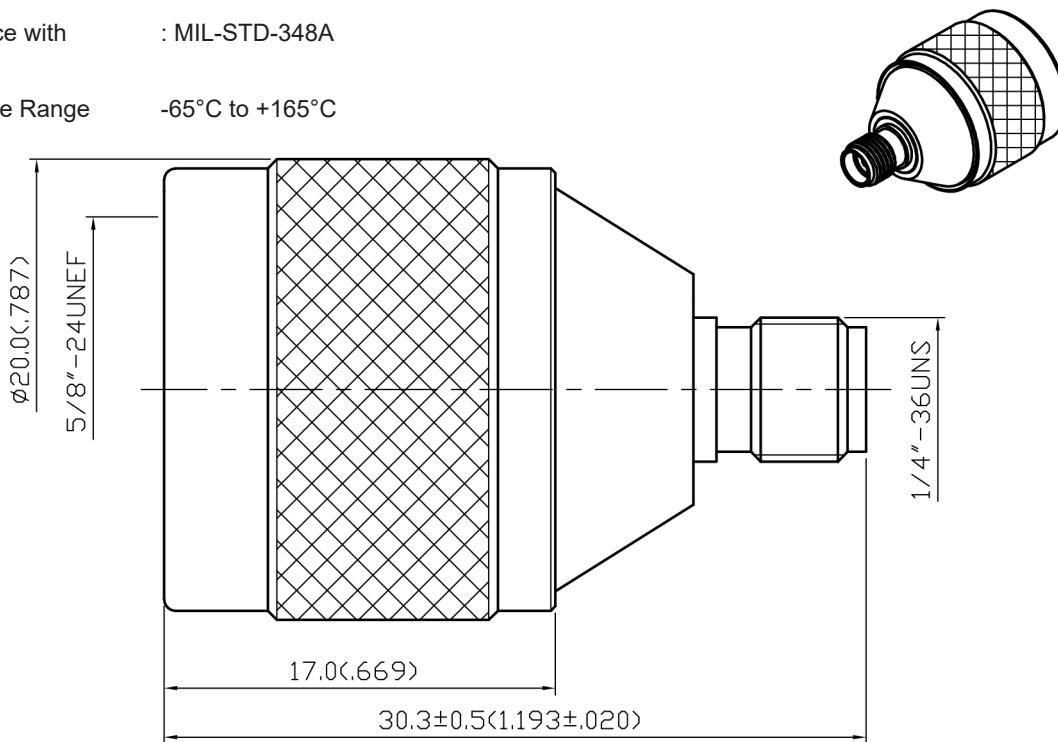
- Bodies : Brass Per JIS-C3604
- Centre Contact : Beryllium Copper per ASTM B196 UNS C17300
- Insulation : PTFE Per ASTM D1457 and ASTM D1710

Mechanical

- Interface in Accordance with : MIL-STD-348A

Environmental

- Operating Temperature Range : -65°C to +165°C



Finishes and Others			
No	Description	Material	Finish
1	Shell	Brass	White Bronze 80µ" Min.
2	Gasket	Silicon	Red
3	Body	Brass	White Bronze 80µ" Min.
4	Washer	Brass	None
5	Centre Contact	Beryllium Copper	Gold 20µ" Min. Over Electronics Nickel 50µ" Min.
6	Body	Brass	White Bronze 80µ" Min.
7	Insulation	PTFE	None

MP006802 - Straight SMA Jack to N Jack Adapter

Electrical

- Frequency Range : DC to 11GHz
- Nominal Impedance : 50Ω
- Voltage Rating : 500 Volts Max.
- VSWR : 1.22 Max. @ 6.1 GHz
1.3 Max. @ 11 GHz

Materials

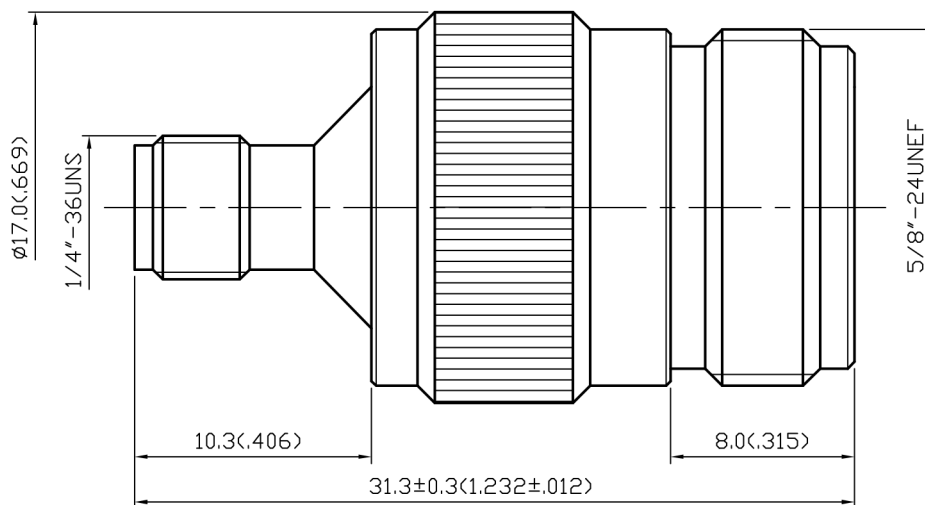
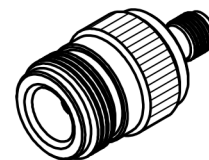
- Bodies : Brass Per JIS-C3604
- Centre Contact : Beryllium Copper per ASTM B196 UNS C17300
- Insulation : PTFE Per ASTM D1457 and ASTM D1710

Mechanical

- Interface in Accordance with : MIL-STD-348A

Environmental

- Operating Temperature Range : -65°C to +165°C



Finishes and Others			
No	Description	Material	Finish
1	Body	Brass	White Bronze 80μ" Min.
2	Insulation	PTFE	None
3	Centre Contact	Beryllium Copper	Gold 20μ" Min. Over Electronics Nickel 50μ" Min.
4	Body	Brass	White Bronze 80μ" Min.

MP006804 - Straight SMA Plug to Plug Adapter

Electrical

- Frequency Range : DC to 18GHz
- Nominal Impedance : 50Ω
- Voltage Rating : 500 Volts Max.
- VSWR : 1.23 Max. @ 18 GHz
1.2 Max. @ 6.1 GHz

Materials

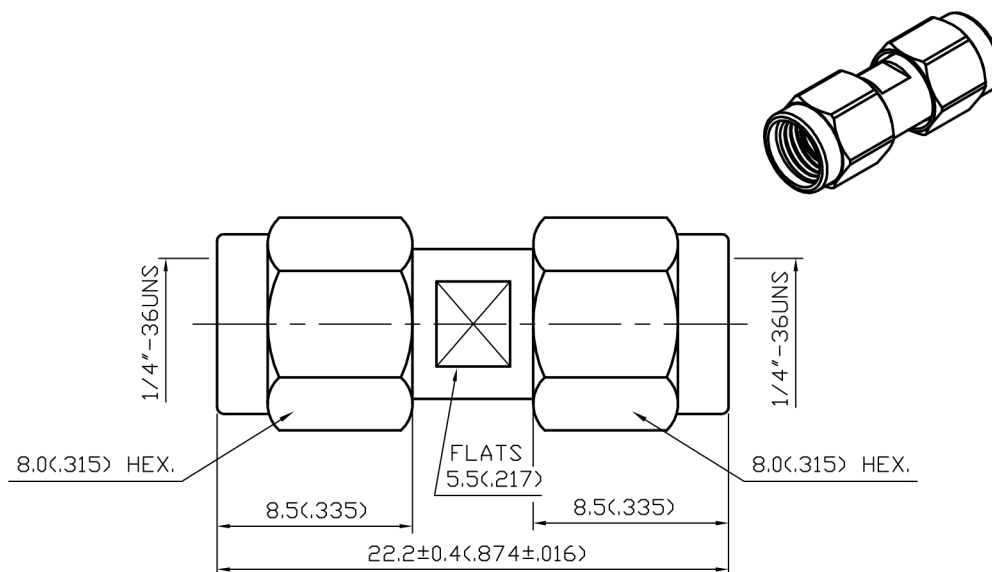
- Bodies : Brass Per JIS-C3604
- Centre Contact : Brass Per JIS-C3604
- Insulation : PTFE Per ASTM D1457 and ASTM D1710

Mechanical

- Interface in Accordance with : MIL-STD-348A
- Recommended Coupling Torque : 3 to 5 lbs

Environmental

- Operating Temperature Range : -65°C to +165°C



Finishes and Others				
No	Description	Material	Q' ty	Finish
1	Shell	Brass	2	Gold 3μ" Min. Over Electronicss Nickel 50μ" Min.
2	Washer	Stainless Steel	2	None
3	Insulation	PTFE	1	None
4	Body	Brass	1	Gold 3μ" Min. Over Electronicss Nickel 50μ" Min.
5	Centre Contact	Brass	1	Gold 50μ" Min. Over Electronicss Nickel 50μ" Min.
6	Gasket	Silicon	2	Red

MP006805 - Straight SMA Jack to Jack Adapter

Electrical

- Frequency Range : DC to 18GHz
- Nominal Impedance : 50Ω
- Voltage Rating : 500 Volts Max.
- VSWR : 1.23 Max. @ 18 GHz
1.2 Max. @ 6.1 GHz

Materials

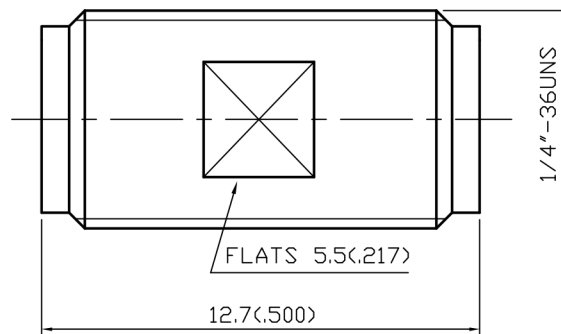
- Bodies : Brass Per JIS-C3604
- Centre Contact : Beryllium Copper per ASTM B196 UNS C17300
- Insulation : PTFE Per ASTM D1457 and ASTM D1710

Mechanical

- Interface in Accordance with : MIL-STD-348A

Environmental

- Operating Temperature Range : -65°C to +165°C



Finishes and Others			
No	Description	Material	Finish
1	Body	Brass	Gold 3μ" Min. Over Electronicss Nickel 50μ" Min.
2	Centre Contact	Brass	Gold 50μ" Min. Over Electronicss Nickel 50μ" Min.
3	Insulation	PTFE	None

MP006807 - Straight SMA Bulkhead Jack to Jack Adapter

Electrical

- Frequency Range : DC to 18GHz
- Nominal Impedance : 50Ω
- Voltage Rating : 500 Volts Max.
- VSWR : 1.23 Max. @ 18 GHz
1.2 Max. @ 6.1 GHz

Materials

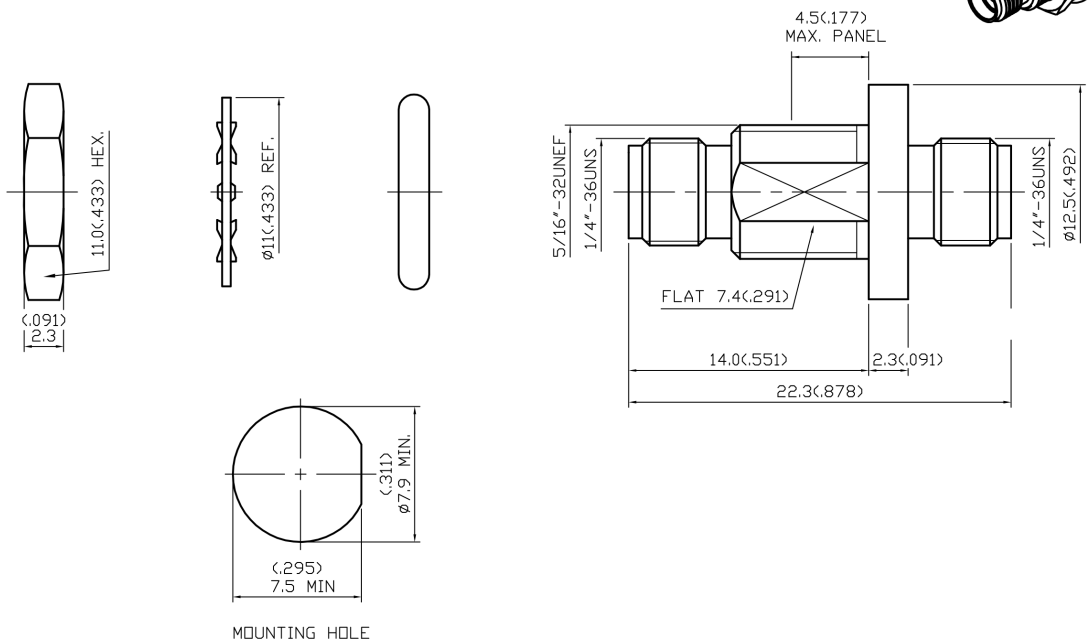
- Bodies : Stainless Steel Per JIS SUS 303
- Centre Contact : Beryllium Copper per ASTM B196 UNS C17300
- Insulation : PTFE Per ASTM D1457 and ASTM D1710

Mechanical

- Interface in Accordance with : MIL-STD-348A

Environmental

- Operating Temperature Range : -65°C to +165°C



Finishes and Others			
No	Description	Material	Finish
1	Nut	Stainless Steel	Gold 3μ" Min. Over Electronicss Nickel 50μ" Min.
2	Washer	Stainless Steel	Gold 3μ" Min. Over Electronicss Nickel 50μ" Min.
3	Body	Stainless Steel	Gold 3μ" Min. Over Electronicss Nickel 50μ" Min.
4	Centre Contact	Beryllium Copper	Gold 50μ" Min. Over Electronicss Nickel 50μ" Min.
5	Insulation	PTFE	None
6	O-Ring	Silicon	Black

MP006813 - Straight MCX Jack to Jack Adapter

Electrical

- Frequency Range : DC to 6.1GHz
- Nominal Impedance : 50Ω
- Voltage Rating : 335 Volts Max.
- VSWR : 1.22 Max. @ 6.1 GHz

Materials

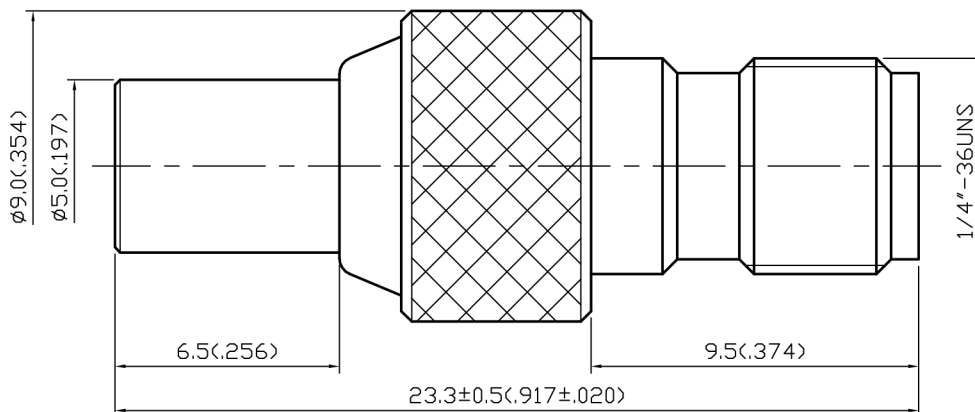
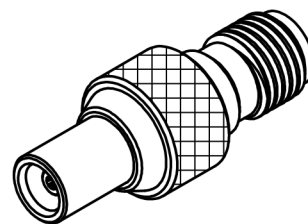
- Bodies : Brass Per JIS SUS 303
- Centre Contact : Beryllium Copper per ASTM B196 UNS C17300
- Insulation : PTFE Per ASTM D1457 and ASTM D1710

Mechanical

- Interface in Accordance with : MIL-STD-348A
CECC 22220

Environmental

- Operating Temperature Range : -55°C to +155°C



Finishes and Others			
No	Description	Material	Finish
1	Chassis	Brass	Gold 3μ" Min. Over Electronics Nickel 50μ" Min.
2	Insulation	PTFE	None
3	Centre Contact	Beryllium Copper	Gold 50μ" Min. Over Electronics Nickel 50μ" Min.
4	Body	Brass	Gold 3μ" Min. Over Electronics Nickel 50μ" Min.
5	Insulation	PTFE	None

MP006814 - Straight MCX Plug to Jack Adapter

Electrical

- Frequency Range : DC to 6.1GHz
- Nominal Impedance : 50Ω
- Voltage Rating : 335 Volts Max.
- VSWR : 1.22 Max. @ 6.1 GHz

Materials

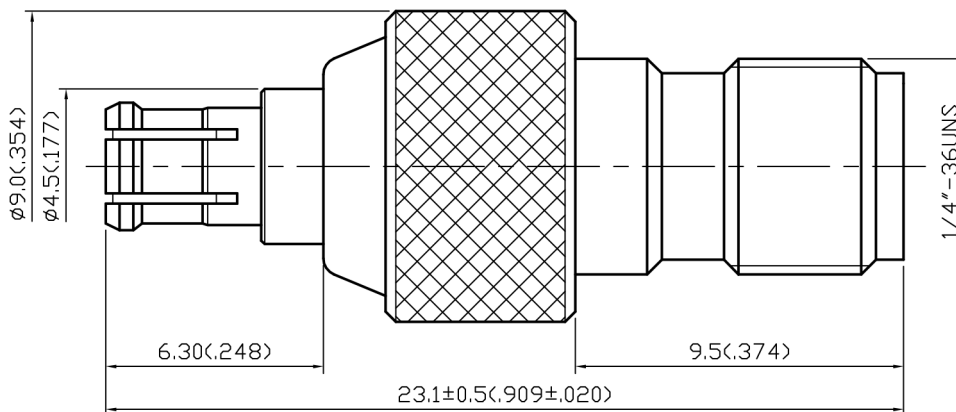
- Bodies : Brass Per JIS SUS 303
- Centre Contact : Beryllium Copper per ASTM B196 UNS C17300
- Insulation : PTFE Per ASTM D1457 and ASTM D1710

Mechanical

- Interface in Accordance with : MIL-STD-348A
CECC 22220

Environmental

- Operating Temperature Range : -55°C to +155°C



Finishes and Others			
No	Description	Material	Finish
1	Chassis	Beryllium Copper	Gold 3μ" Min. Over Electronics Nickel 50μ" Min.
2	Insulation	PTFE	None
3	Centre Contact	Beryllium Copper	Gold 50μ" Min. Over Electronics Nickel 50μ" Min.
4	Body	Brass	Gold 3μ" Min. Over Electronics Nickel 50μ" Min.
5	Insulation	PTFE	None

MP006819 - Straight SMP Jack to Jack Adapter

Electrical

- Frequency Range : DC to 18GHz
- Nominal Impedance : 50Ω
- Voltage Rating : 335 Volts Max.
- VSWR : 1.3 Max. @ 18 GHz
1.22 Max. @ 6.1 GHz

Materials

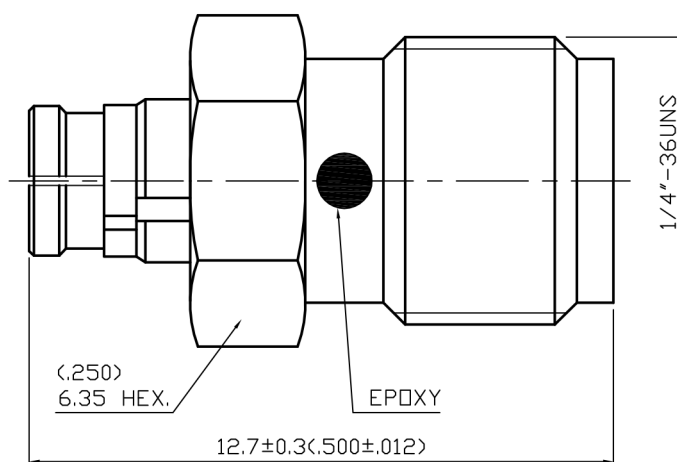
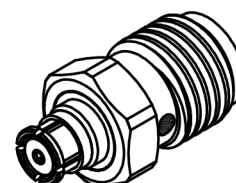
- Bodies : Brass Per JIS - C3604 Beryllium Copper per ASTM B196 UNS C17300
- Centre Contact : Beryllium Copper per ASTM B196 UNS C17300
- Insulation : PTFE Per ASTM D1457 and ASTM D1710

Mechanical

- Interface in Accordance with : MIL-STD-348A

Environmental

- Operating Temperature Range : -65°C to +165°C



Finishes and Others			
No	Description	Material	Finish
1	EMI Ring	Beryllium Copper	Gold 5µ" Min. Over Electronics Nickel 50µ" Min.
2	Anti-Rock Ring	Beryllium Copper	Gold 5µ" Min. Over Electronics Nickel 50µ" Min.
3	Chassis	Beryllium Copper	Gold 5µ" Min. Over Electronics Nickel 50µ" Min.
4	Body	Brass	Gold 5µ" Min. Over Electronics Nickel 50µ" Min.
5	Insulation	PTFE	None
6	Centre Contact	Beryllium Copper	Gold 30µ" Min. Over Electronics Nickel 50µ" Min.

MP006820 - Straight SMP Limited Detent Plug to Jack Adapter

Electrical

- Frequency Range : DC to 18GHz
- Nominal Impedance : 50Ω
- Voltage Rating : 335 Volts Max.
- VSWR : 1.3 Max. @ 18 GHz
1.22 Max. @ 6.1 GHz

Materials

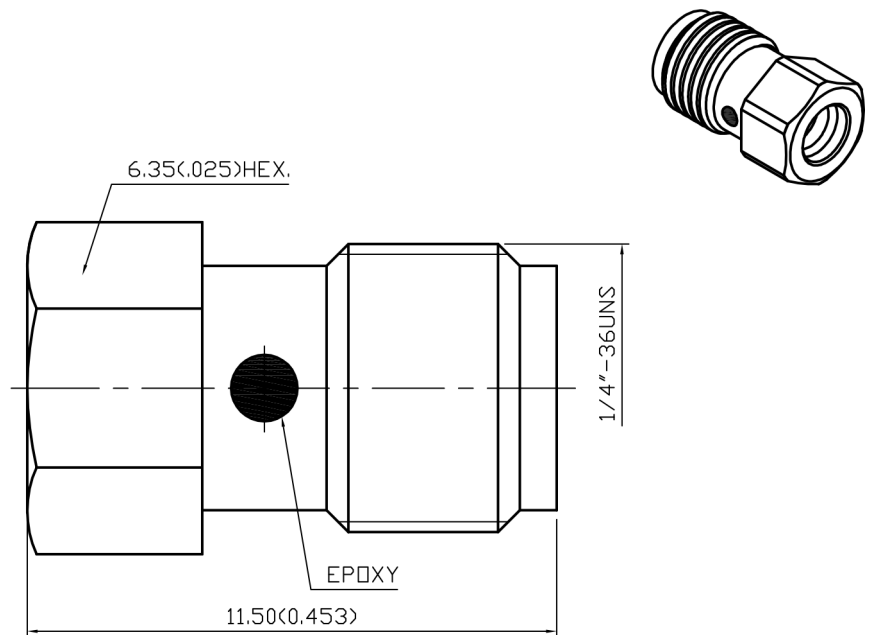
- Bodies : Brass Per JIS - C3604
- Centre Contact : Beryllium Copper per ASTM B196 UNS C17300
- Insulation : PTFE Per ASTM D1457 and ASTM D1710

Mechanical

- Interface in Accordance with : MIL-STD-348A

Environmental

- Operating Temperature Range : -65°C to +165°C



Finishes and Others			
No	Description	Material	Finish
1	Body	Brass	Gold 5µ" Min. Over Electronics Nickel 50µ" Min.
2	Centre Contact	Beryllium Copper	Gold 30µ" Min. Over Electronics Nickel 50µ" Min.
3	Insulation	PTFE	None

MP006821 - Straight SMP Jack to Jack Adapter

Electrical

- Frequency Range : DC to 40GHz
- Nominal Impedance : 50Ω
- Voltage Rating : 335 Volts Max.
- VSWR : 1.2 Max. @ 26.5 GHz
1.5 Max. @ 40 GHz

Materials

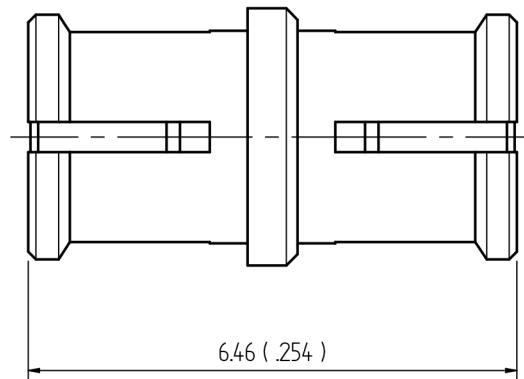
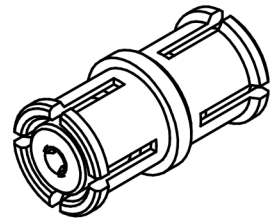
- Bodies : Beryllium Copper per ASTM B196 UNS C17300
- Centre Contact : Beryllium Copper per ASTM B196 UNS C17300
- Insulation : PTFE Per ASTM D1457 and ASTM D1710

Mechanical

- Interface in Accordance with : MIL-STD-348A

Environmental

- Operating Temperature Range : -65°C to +165°C



Finishes and Others			
No	Description	Material	Finish
1	Body	Beryllium Copper	Gold 5u" MIN over Electroless Nickel 50 u" MIN
2	Centre Contact	Beryllium Copper	Gold 30u" MIN over Electroless Nickel 50 u" MIN
3	Insulation	PTFE	None

MP006822 - 7/16 Straight Jack to Jack Adapter

Electrical

- Frequency Range : DC to 7.5GHz
- Nominal Impedance : 50Ω
- Voltage Rating : 1400 Volts Max.
- VSWR : 1.1 Max. @ 3 GHz
1.3 Max. @ 7.5 GHz
1.22 Max. @ 6.1 GHz

Materials

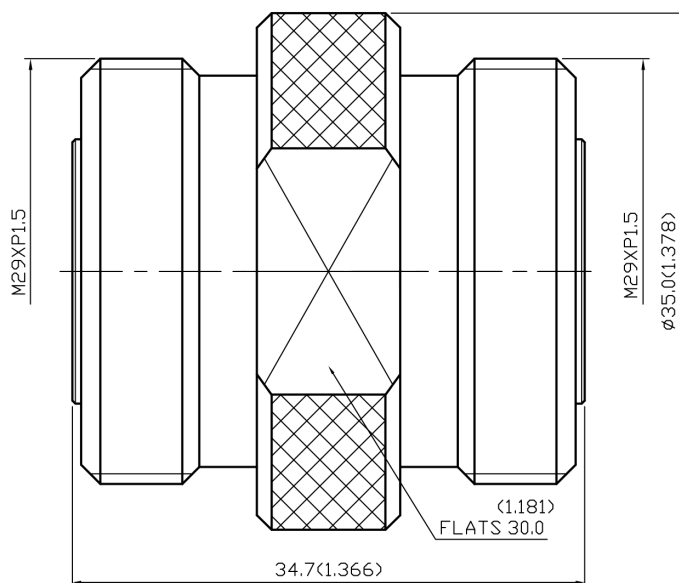
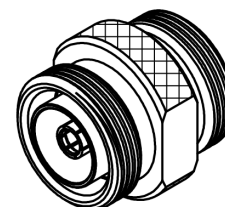
- Bodies : Brass Per JIS - C3604
- Centre Contact : Beryllium Copper per ASTM B196 UNS C17300
- Insulation : PTFE Per ASTM D1457 and ASTM D1710

Mechanical

- Interface in Accordance with : IEC 169-4

Environmental

- Operating Temperature Range : -55°C to +155°C



Finishes and Others			
No	Description	Material	Finish
1	Chassis	Brass	White Bronze 80µ" Min.
2	Centre Contact	Beryllium Copper	Silver 70µ" Min.
3	Insulation	PTFE	None
4	Body	Brass	White Bronze 80µ" Min.
5	Centre Contact	Beryllium Copper	Silver 70µ" Min.

MP006823 - 7/16 4 Hole Flange Mount Jack to Jack Adapter

Electrical

- Frequency Range : DC to 7.5GHz
- Nominal Impedance : 50Ω
- Voltage Rating : 1400 Volts Max.
- VSWR : 1.1 Max. @ 3 GHz
1.3 Max. @ 7.5 GHz
1.22 Max. @ 6.1 GHz

Materials

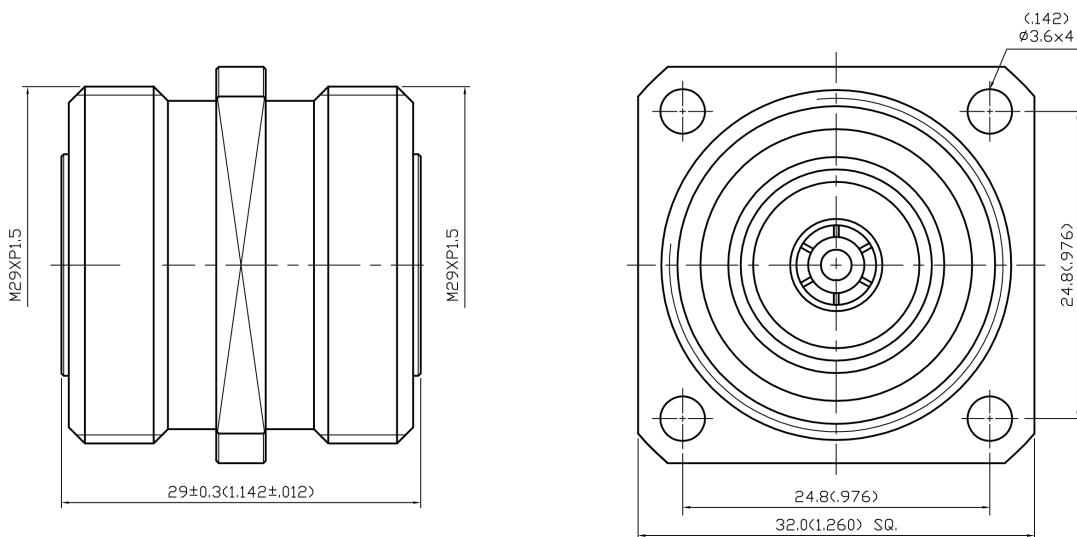
- Bodies : Brass Per JIS - C3604
- Centre Contact : Beryllium Copper per ASTM B196 UNS C17300
- Insulation : PTFE Per ASTM D1457 and ASTM D1710

Mechanical

- Interface in Accordance with : IEC 169-4

Environmental

- Operating Temperature Range : -55°C to +155°C



Finishes and Others			
No	Description	Material	Finish
1	Centre Contact	Beryllium Copper	Silver 70μ" Min.
2	Body	Brass	White Bronze 80μ" Min.
3	Insulation	PTFE	None
4	Centre Contact	Beryllium Copper	Silver 70μ" Min.
5	Chassis	Brass	White Bronze 80μ" Min.

MP006824 - Low Pin N Straight Jack to Jack Adapter

Electrical

- Frequency Range : DC to 11GHz
- Nominal Impedance : 50Ω
- Voltage Rating : 1000 Volts Max.
- VSWR : 1.1 Max. @ 6 GHz
1.3 Max. @ 11 GHz

Materials

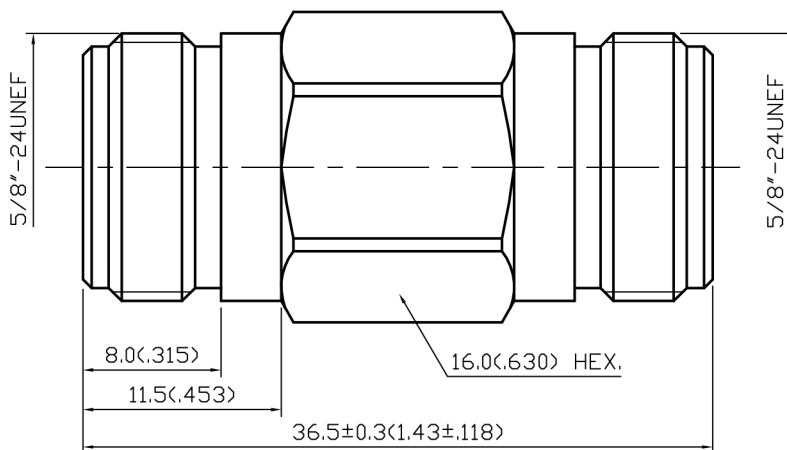
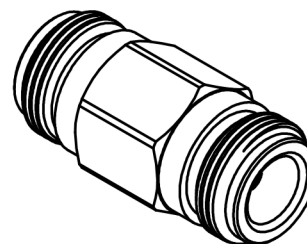
- Bodies : Brass Per JIS - C3604
- Centre Contact : Beryllium Copper per ASTM B196 UNS C17300
- Insulation : PTFE Per ASTM D1457 and ASTM D1710

Mechanical

- Interface in Accordance with : MIL-STD-348A

Environmental

- Operating Temperature Range : -65°C to +165°C



Finishes and Others			
No	Description	Material	Finish
1	Chassis	Brass	White Bronze 80μ" Min.
2	Body	Brass	White Bronze 80μ" Min.
3	Centre Contact	Beryllium Copper	Gold 3μ" Min.
4	Insulation	PTFE	None

MP006825 - Low Pin N Straight Plug to Plug Adapter

Electrical

- Frequency Range : DC to 11 GHz
- Nominal Impedance : 50Ω
- Voltage Rating : 1000 Volts Max.
- VSWR : 1.1 Max. @ 6 GHz
1.3 Max. @ 11 GHz

Materials

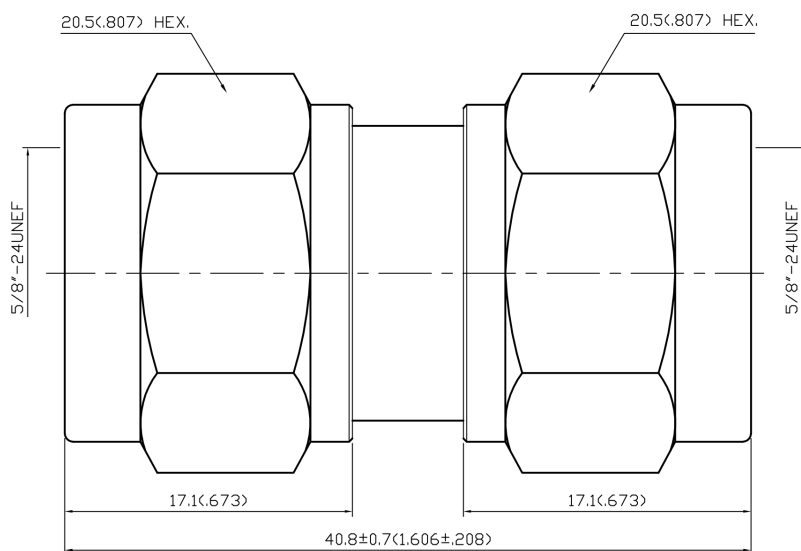
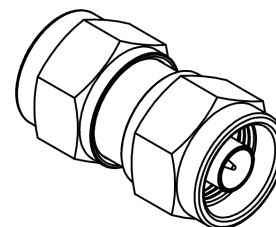
- Bodies : Brass Per JIS - C3604
- Centre Contact : Brass Per JIS - C3604
- Insulation : PTFE Per ASTM D1457 and ASTM D1710

Mechanical

- Interface in Accordance with : MIL-STD-348A

Environmental

- Operating Temperature Range : -65°C to +165°C



Finishes and Others				
No	Description	Material	Q' ty	Finish
1	Insulation	PTFE	1	None
2	Centre Contact	Brass	1	Gold 3μ" Min.
3	Body	Brass	1	White Bronze 80μ" Min.
4	Washer	Brass	2	None
5	Gasket	Silicon	2	Red
6	Chassis	Brass	1	White Bronze 80μ" Min.
7	Shell	Brass	2	White Bronze 80μ" Min.

MP006826 - N Straight Bulkhead Flange Mount Jack to Jack Adapter

Electrical

- Frequency Range : DC to 11GHz
- Nominal Impedance : 50Ω
- Voltage Rating : 1000 Volts Max.
- VSWR : 1.1 Max. @ 6 GHz
1.3 Max. @ 11 GHz

Materials

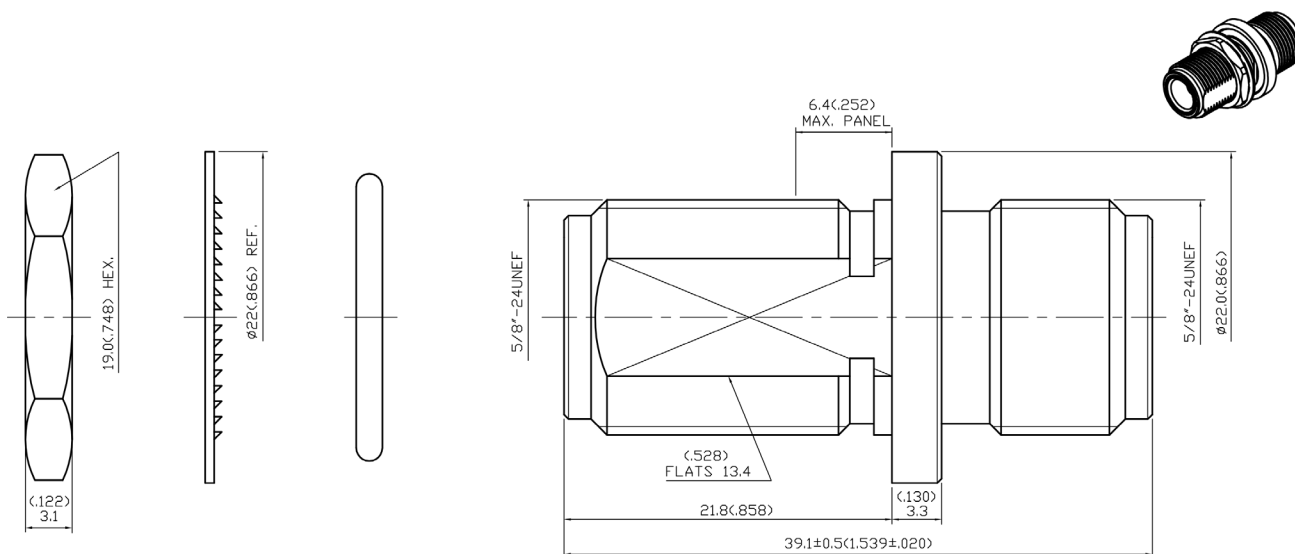
- Bodies : Brass Per JIS - C3604
- Centre Contact : Beryllium Copper per ASTM B196 UNS C17300
- Insulation : PTFE Per ASTM D1457 and ASTM D1710

Mechanical

- Interface in Accordance with : MIL-STD-348A

Environmental

- Operating Temperature Range : -65°C to +165°C



Finishes and Others				
No	Description	Material	Q' ty	Finish
1	Centre Contact	Beryllium Copper	1	Gold 3μ" Min.
2	Chassis	Brass	1	White Bronze 80μ" Min.
3	Body	Brass	1	White Bronze 80μ" Min.
4	Insulation	PTFE	1	None
5	O-Ring	Silicon	1	Black
6	Washer	Brass	2	White Bronze 80μ" Min.
7	Nut	Brass	1	White Bronze 80μ" Min.

MP006827 - Straight SMPM Full Detent Plug to 2.92mm Plug Adater

Electrical

- Frequency Range : DC to 40 GHz
- Nominal Impedance : 50Ω
- Voltage Rating : 250 Volts Max.
- VSWR : 1.25 Max

Materials

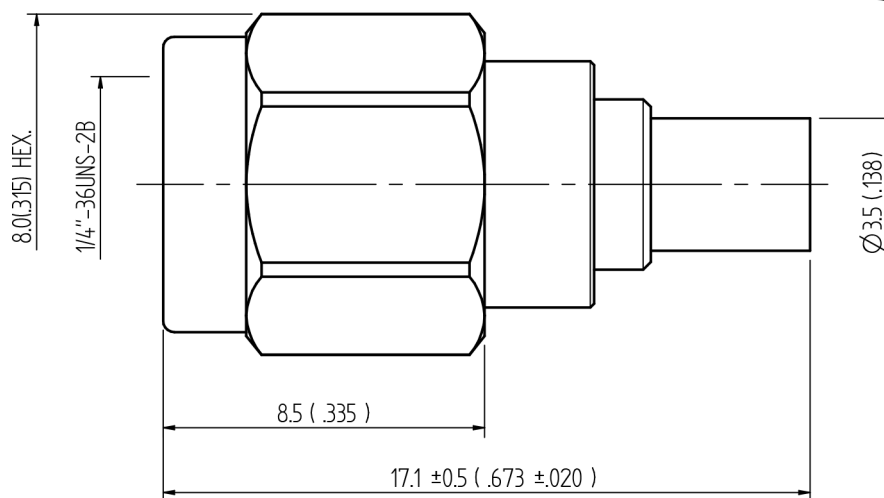
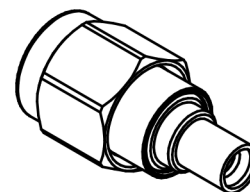
- Bodies : Stainless Steel per JIS SUS 303
- Centre Contact : Beryllium Copper per ASTM B196 UNS C17300
- Insulation : PTFE Per ASTM D1457 and ASTM D1710

Mechanical

- Interface in Accordance with : MIL-STD-348A
- Recommended Coupling Torque : 7 to 10 in-lbs

Environmental

- Operating Temperature Range : -55°C to +90°C



Finishes and Others			
No	Description	Material	Finish
1	Shell	Stainless Steel	Passivated
2	Gasket	Silicon	Red
3	Washer	Stainless Steel	None
4	Body	Stainless Steel	Gold 3μ" Min.
5	Insulation	PTFE	None
6	Centre Contact	Beryllium Copper	Gold 50μ" Min.
7	Body	Stainless Steel	Gold 3μ" Min.
8	Insulation	Rexolite	None

MP006828 - Straight SMPM Jack to 2.92mm Plug Adater

Electrical

- Frequency Range : DC to 40GHz
- Nominal Impedance : 50Ω
- Voltage Rating : 250 Volts Max.
- VSWR : 1.25 Max

Materials

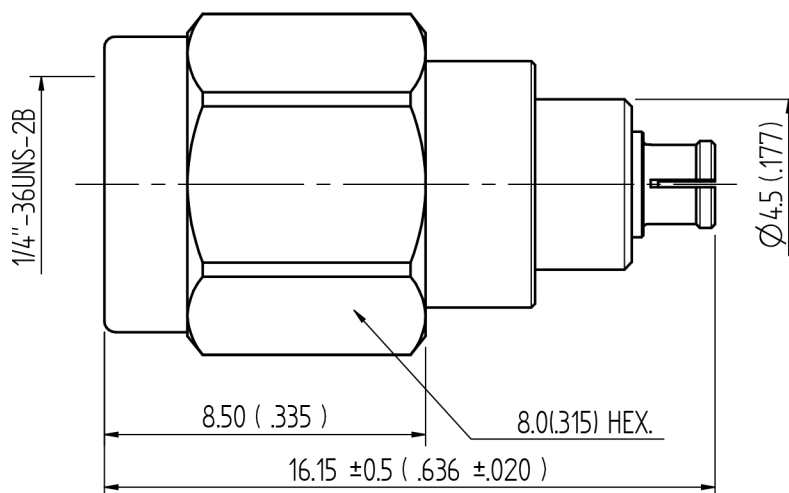
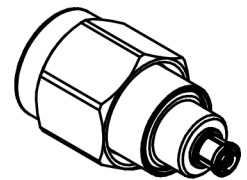
- Bodies : Beryllium Copper per ASTM B196 UNS C17300
Stainless Steel per JIS SUS 303
- Centre Contact : Beryllium Copper per ASTM B196 UNS C17300
- Insulation : PTFE Per ASTM D1457 and ASTM D1710

Mechanical

- Interface in Accordance with : MIL-STD-348A
- Recommended Coupling Torque : 7 to 10 in-lbs

Environmental

- Operating Temperature Range : -55°C to +90°C



Finishes and Others			
No	Description	Material	Finish
1	Shell	Stainless Steel	Passivated
2	Gasket	Silicon	Red
3	Washer	Stainless Steel	None
4	Body	Stainless Steel	Gold 3μ" Min.
5	Insulation	PTFE	None
6	Centre Contact	Beryllium Copper	Gold 50μ" Min.
7	Body	Beryllium Copper	Gold 3μ" Min.
8	Insulation	Rexolite	None

Part Number Table

Description	Part Number
Straight SMA Plug to N Plug Adapter	MP006799
Straight SMA Plug to N Jack Adapter	MP006800
Straight SMA Jack to N Plug Adapter	MP006801
Straight SMA Jack to N Jack Adapter	MP006802
Straight SMA Plug to SMA Plug Adapter	MP006804
Straight SMA Jack to SMA Jack Adapter	MP006805
Straight SMA Bulkhead Jack to SMA Jack Adapter	MP006807
Straight MCX Jack to SMA Jack Adapter	MP006813
Straight MCX Plug to SMA Jack Adapter	MP006814
Straight SMP Jack to SMA Jack Adapter	MP006819
Straight SMP Limited Detent Plug to SMA Jack Adapter	MP006820
Straight SMP Jack to SMP Jack Adapter	MP006821
Straight 7/16 Jack to 7/16 Jack Adapter	MP006822
7/16 Jack to 7/16 Jack Adapter, Flange Mount	MP006823
Straight Low Pin N Jack to N Jack Adapter	MP006824
Straight Low Pin N Plug to N Plug Adapter	MP006825
Straight N Bulkhead Flange Mount Jack to N Jack Adapter	MP006826
Straight SMPM Full Detent Plug to 2.92mm Plug Adater	MP006827
Straight SMPM Jack to 2.92mm Plug Adater	MP006828

Important Notice : This data sheet and its contents (the "Information") belong to the members of the AVNET group of companies (the "Group") or are licensed to it. No licence is granted for the use of it other than for information purposes in connection with the products to which it relates. No licence of any intellectual property rights is granted. The Information is subject to change without notice and replaces all data sheets previously supplied. The Information supplied is believed to be accurate but the Group assumes no responsibility for its accuracy or completeness, any error in or omission from it or for any use made of it. Users of this data sheet should check for themselves the Information and the suitability of the products for their purpose and not make any assumptions based on information included or omitted. Liability for loss or damage resulting from any reliance on the Information or use of it (including liability resulting from negligence or where the Group was aware of the possibility of such loss or damage arising) is excluded. This will not operate to limit or restrict the Group's liability for death or personal injury resulting from its negligence. Multicomp Pro is the registered trademark of Premier Farnell Limited 2019.